







## Online Services Boost Productivity

Prince has been listening to what customers want and is hard at work delivering tools that provide you with the information you need when you need it. Our “Online Services” web portal boasts the following:

-  **Inventory Look Up**
-  **On-Line Ordering**
-  **Open Order Status**
-  **Shipment Tracking**
-  **Invoice re-prints**
-  **Configure2Quote (NEW)**

Configure2Quote is a fully-functional product configuration and quote tool. With Configure2Quote you can design custom cylinders from 1.5” to 2.75” bores as well as configure valves from our RD5000 series to obtain a model and quote in real time. Visit [www.princehyd.com](http://www.princehyd.com) to learn more, watch our [YouTube video](#) or contact us for your user ID.



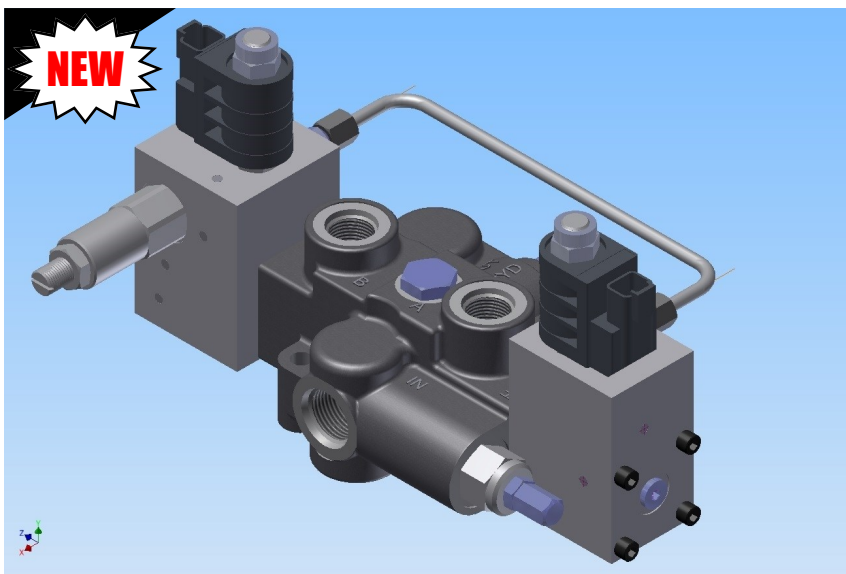
## Product Spotlight

### In-Line Hand Pump

Have a need for a “tank-less” hand pump? Prince has a solution for you with our Wolverine WHP-12-SA single acting pump that is capable of producing 3,500 PSI working pressure.



## Introducing RD5000 Proportional Operators



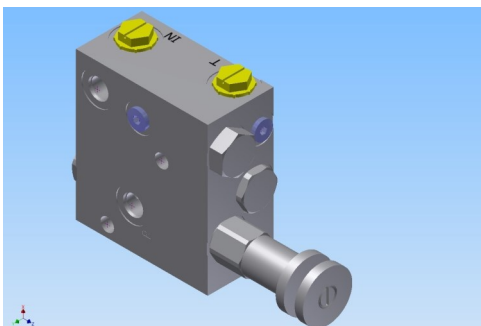
Prince Manufacturing is pleased to announce the first of several new valves featuring proportional solenoid operators.

- Economical Mono-block body design
- Flow rates up to 30 GPM
- Controlled Starts and Stops
- Controlled Work Port Flow Rates
- Thumb and Handle Joysticks Available
- PWM Control Modules Available


For additional information on this product contact visit [www.princehyd.com](http://www.princehyd.com) or your Prince Manufacturing representative.

## Down Pressure Valves Available

As Ag equipment has gotten larger it has become necessary for heavier main frame loads to be transferred to the outer wings through the use of “Down Pressure Valves”. Prince has designed numerous custom down pressure solutions for OEMs. Contact Prince to develop an economical solution to meet your application’s needs.



## Connect With Prince for News, Videos, and More

 Tune in to our YouTube channel for instructional videos and more.



Follow us on Twitter and stay up to date on news driving our industry.