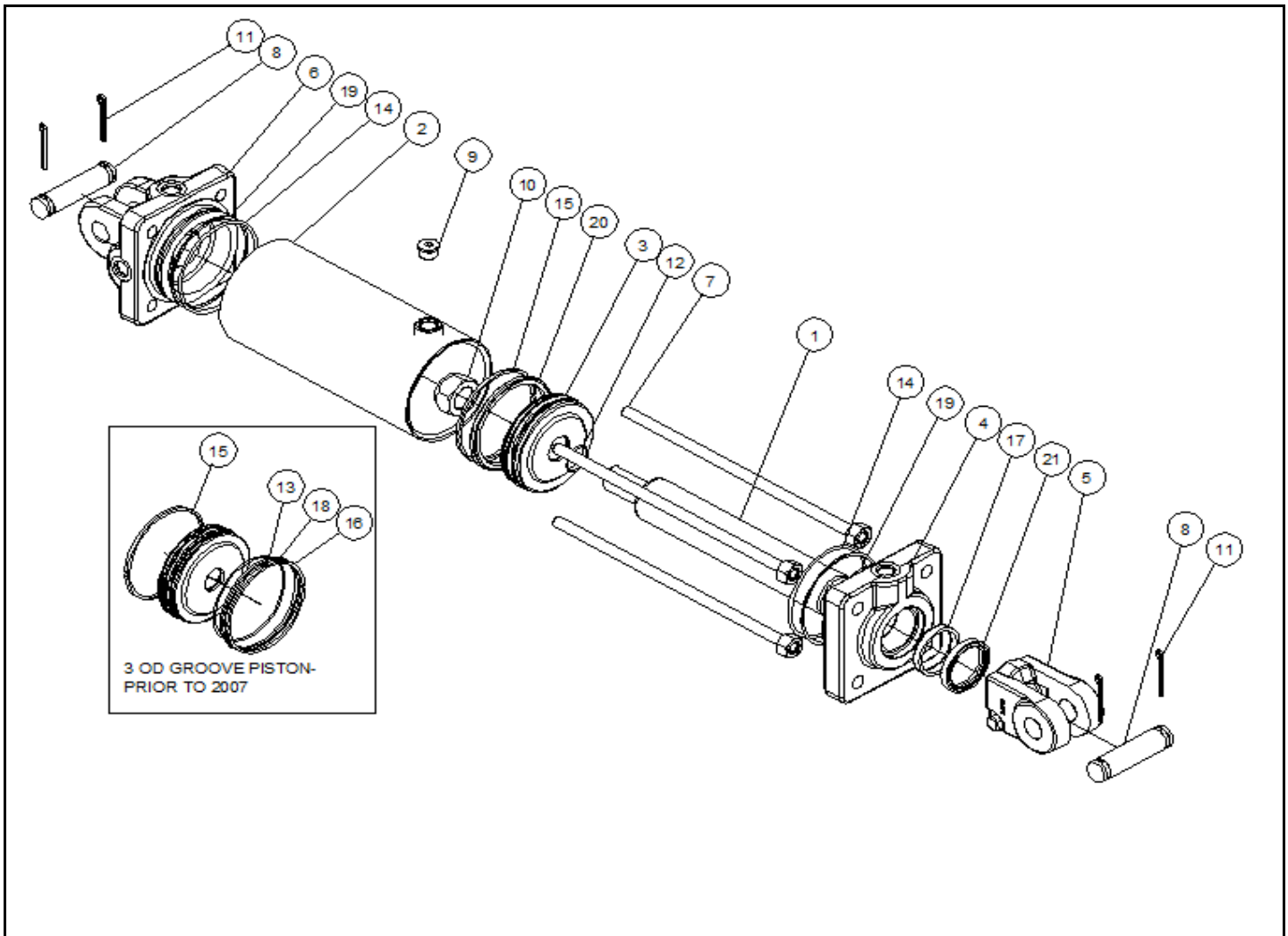




SERIES CYLINDER SYSTEMS

TIE ROD CONSTRUCTION- EXTERNAL STYLE BYPASS



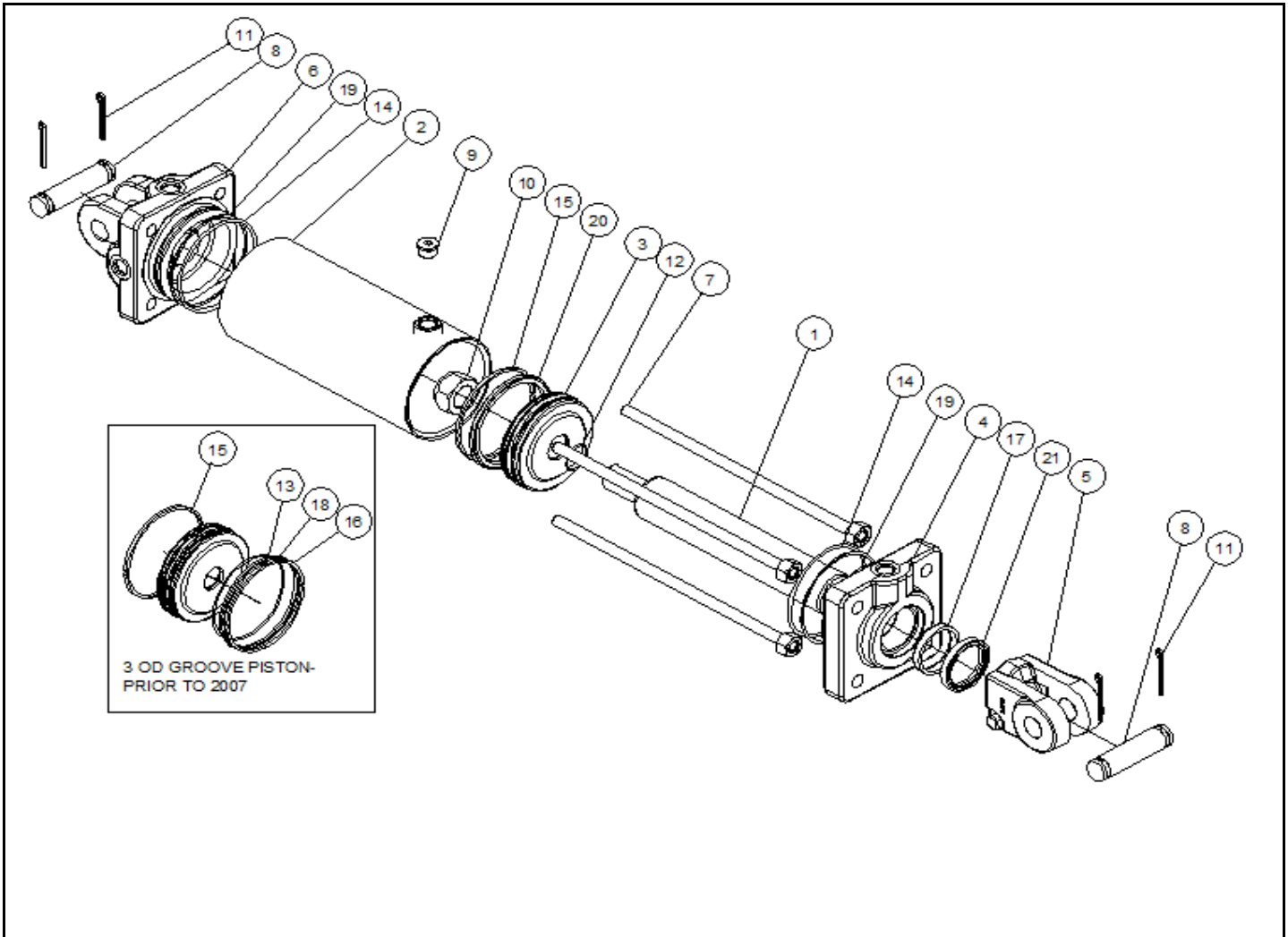
SERIES CYLINDERS 2.50" BORE 1.125" ROD

MODEL	ITEM	QUANTITY	PART NUMBER	DESCRIPTION
PMS-AM-2586	1	1	010500394	PISTON ROD
PMS-AM-2629	1	1	010500430	PISTON ROD
PMS-AM-2586	2	1	061300449	TUBE ASSY
PMS-AM-2629	2	1	061300607	TUBE ASSY
ALL	3	1	071300349	PISTON
ALL	4	1	081300269	GLAND ASSY
ALL	5	1	100000423	CLEVIS ASSY
ALL	6	1	1413005SF	BUTT CLEVIS
PMS-AM-2586	7	4	170201121	TIEROD
PMS-AM-2629	7	4	170201141	TIEROD
ALL	8	2	190400001	CLEVIS PIN
ALL	9	1	200300104	HOLLOW HEX PLUG
ALL	10	1	220000208	LOCKNUT
ALL	11	4	220001504	COTTER PIN
ALL	12	1*	240000024	O-RING



SERIES CYLINDER SYSTEMS

TIE ROD CONSTRUCTION- EXTERNAL STYLE BYPASS



SERIES CYLINDERS 2.50" BORE 1.125" ROD

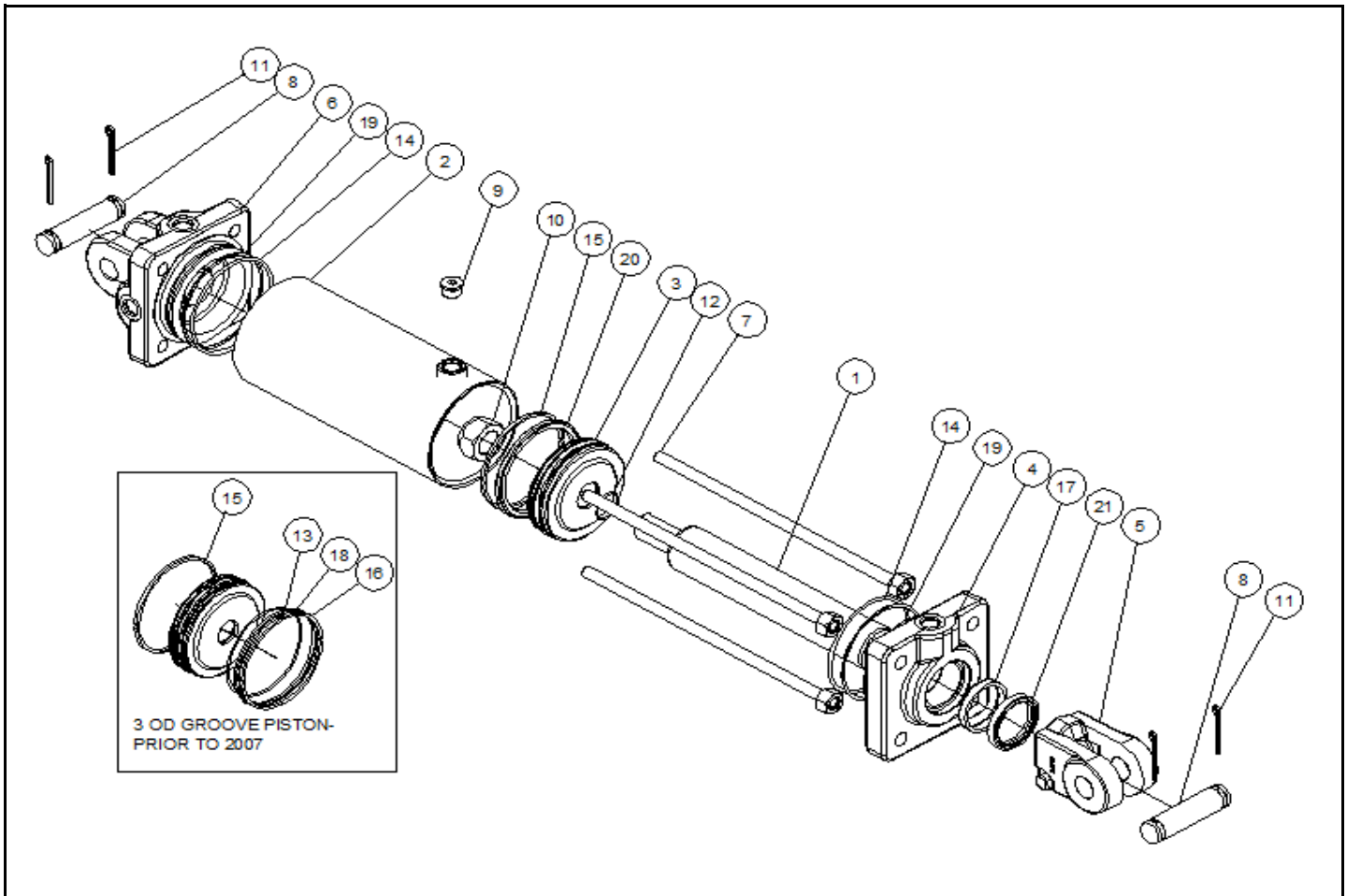
MODEL	ITEM	QUANTITY	PART NUMBER	DESCRIPTION
ALL	13	1**	240000137	O-RING
ALL	14	2*	240000228	O-RING
ALL	15	1*	240011111	BEARING RING
ALL	16	1**	240011111	BEARING RING
ALL	17	1*	240020183	U-CUP
ALL	18	1**	240035137	SQUARE TEFLON SEAL
ALL	19	2*	240061228	BU-WASHER
ALL	20	1*	240064250	RECTANGULAR TEFLON SEAL
ALL	21	1*	250014112	WIPER
PMS-AM-2586			PMCK-AM-2586	PACKING KIT
PMS-AM-2629			PMCK-AM-2629	PACKING KIT

****PACKING KIT INCLUDES ITEMS TO RE-PACK 2 OD GROOVE (CURRENT) OR 3 OD GROOVE (PREVIOUS) PISTONS.**



SERIES CYLINDER SYSTEMS

TIE ROD CONSTRUCTION- EXTERNAL STYLE BYPASS



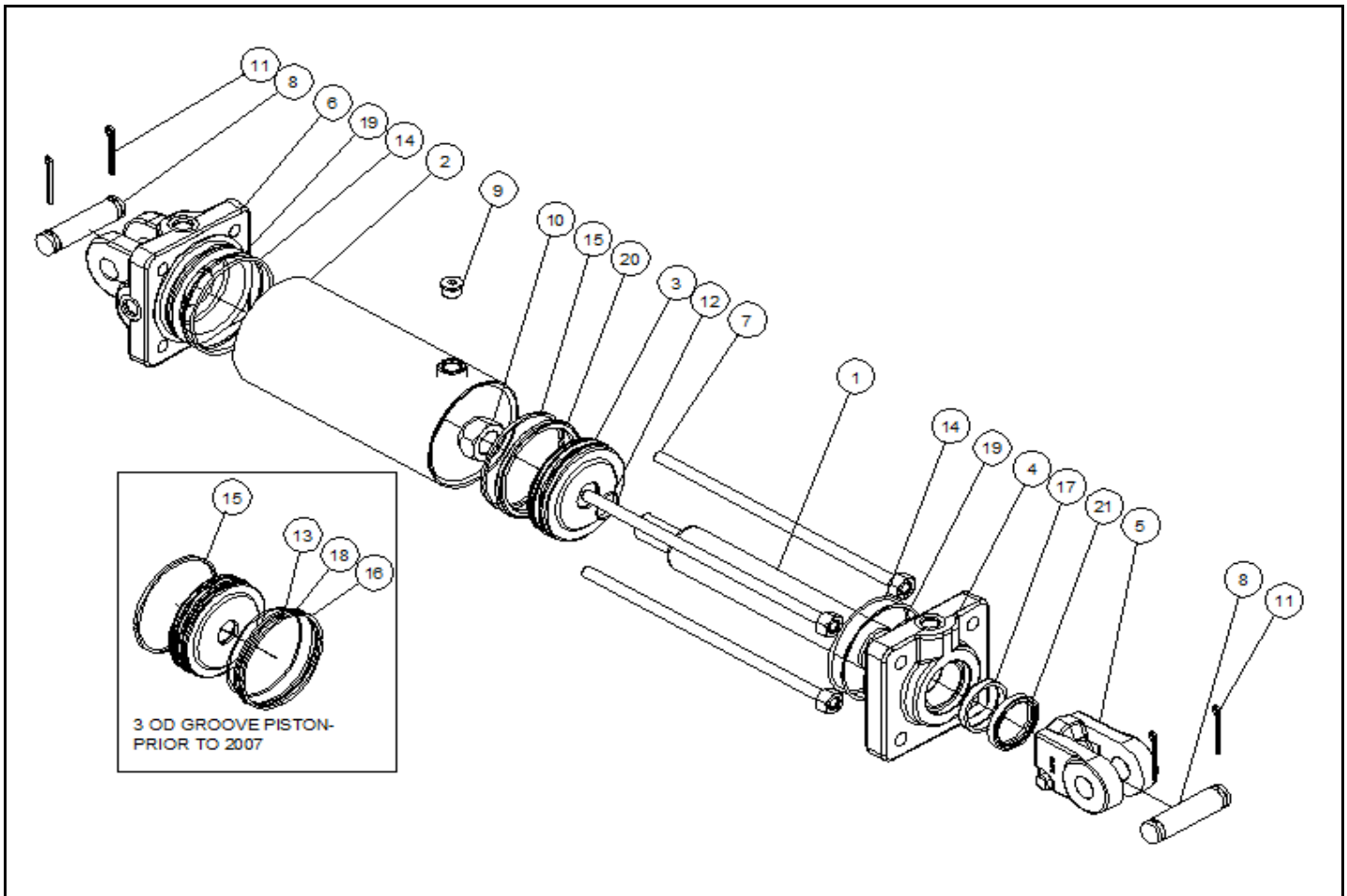
SERIES CYLINDERS 2.75" BORE 1.125" ROD

MODEL	ITEM	QUANTITY	PART NUMBER	DESCRIPTION
PMS-AM-2580	1	1	010500394	PISTON ROD
PMS-AM-2627	1	1	010500430	PISTON ROD
PMS-AM-2580	2	1	061400037	TUBE ASSY
PMS-AM-2627	2	1	061400052	TUBE ASSY
ALL	3	1	071400052	PISTON
ALL	4	1	081400015	GLAND ASSY
ALL	5	1	100000423	CLEVIS ASSY
ALL	6	1	141400002	BUTT CLEVIS
PMS-AM-2580	7	4	170201123	TIEROD
PMS-AM-2627	7	4	170201143	TIEROD
ALL	8	2	190400001	CLEVIS PIN
ALL	9	1	200300104	HOLLOW HEX PLUG
ALL	10	1	220000208	LOCKNUT
ALL	11	4	220001504	COTTER PIN
ALL	12	1*	240000024	O-RING
ALL	13	1**	240000141	O-RING
ALL	14	2*	240000230	O-RING



SERIES CYLINDER SYSTEMS

TIE ROD CONSTRUCTION- EXTERNAL STYLE BYPASS



SERIES CYLINDERS 2.75" BORE 1.125" ROD

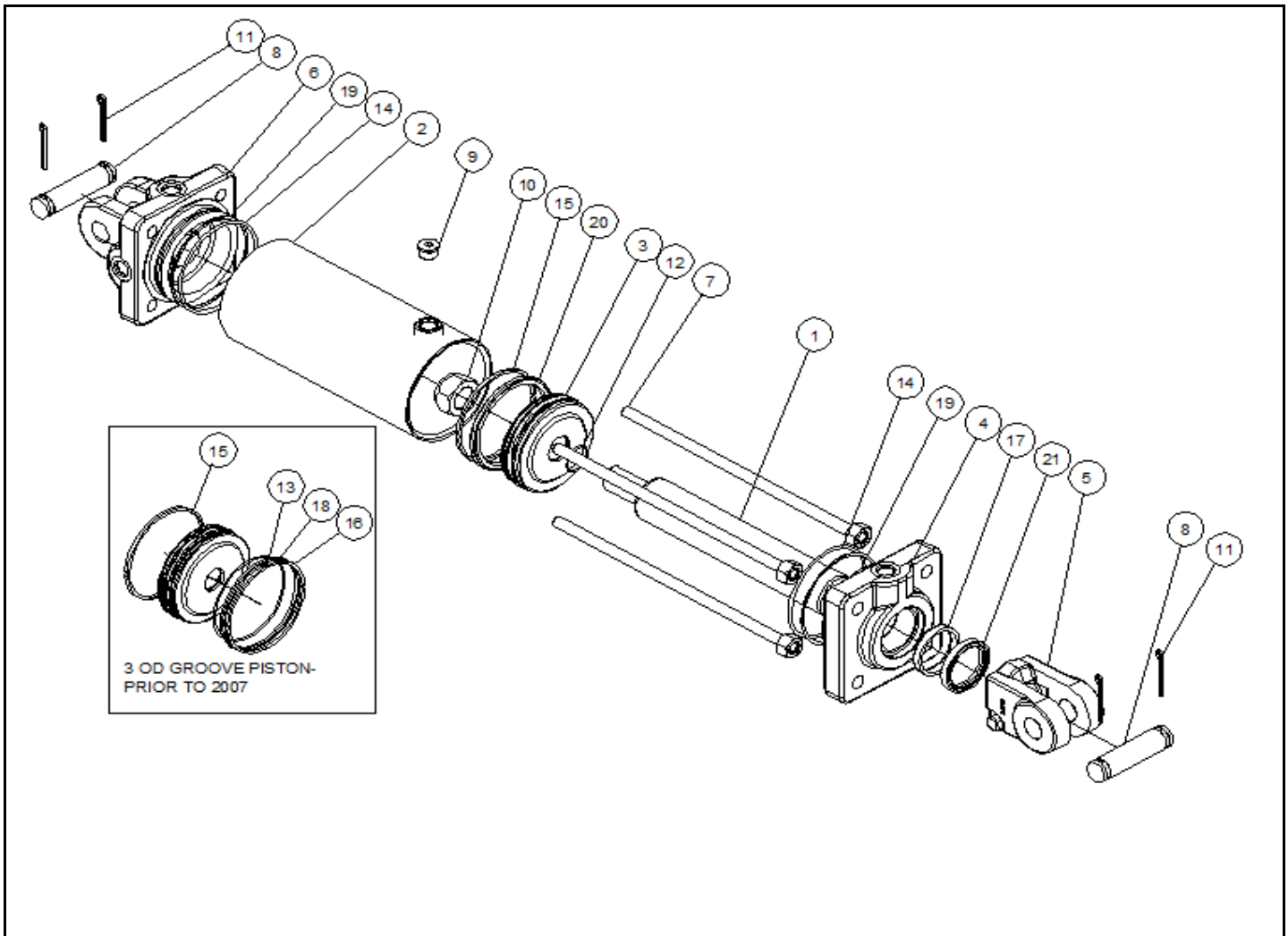
MODEL	ITEM	QUANTITY	PART NUMBER	DESCRIPTION
ALL	15	1*	240011115	BEARING RING
ALL	16	1**	240011115	BEARING RING
ALL	17	1*	240020183	U-CUP
ALL	18	1**	240035141	SQUARE TEFLON SEAL
ALL	19	2*	240061230	BU-WASHER
ALL	20	1*	240064275	RECTANGULAR TEFLON SEAL
ALL	21	1*	250014112	WIPER
PMS-AM-2580			PMCK-AM-2580	PACKING KIT
PMS-AM-2627			PMCK-AM-2627	PACKING KIT

****PACKING KIT INCLUDES ITEMS TO RE-PACK 2 OD GROOVE (CURRENT) OR 3 OD GROOVE (PREVIOUS) PISTONS.**



SERIES CYLINDER SYSTEMS

TIE ROD CONSTRUCTION- EXTERNAL STYLE BYPASS



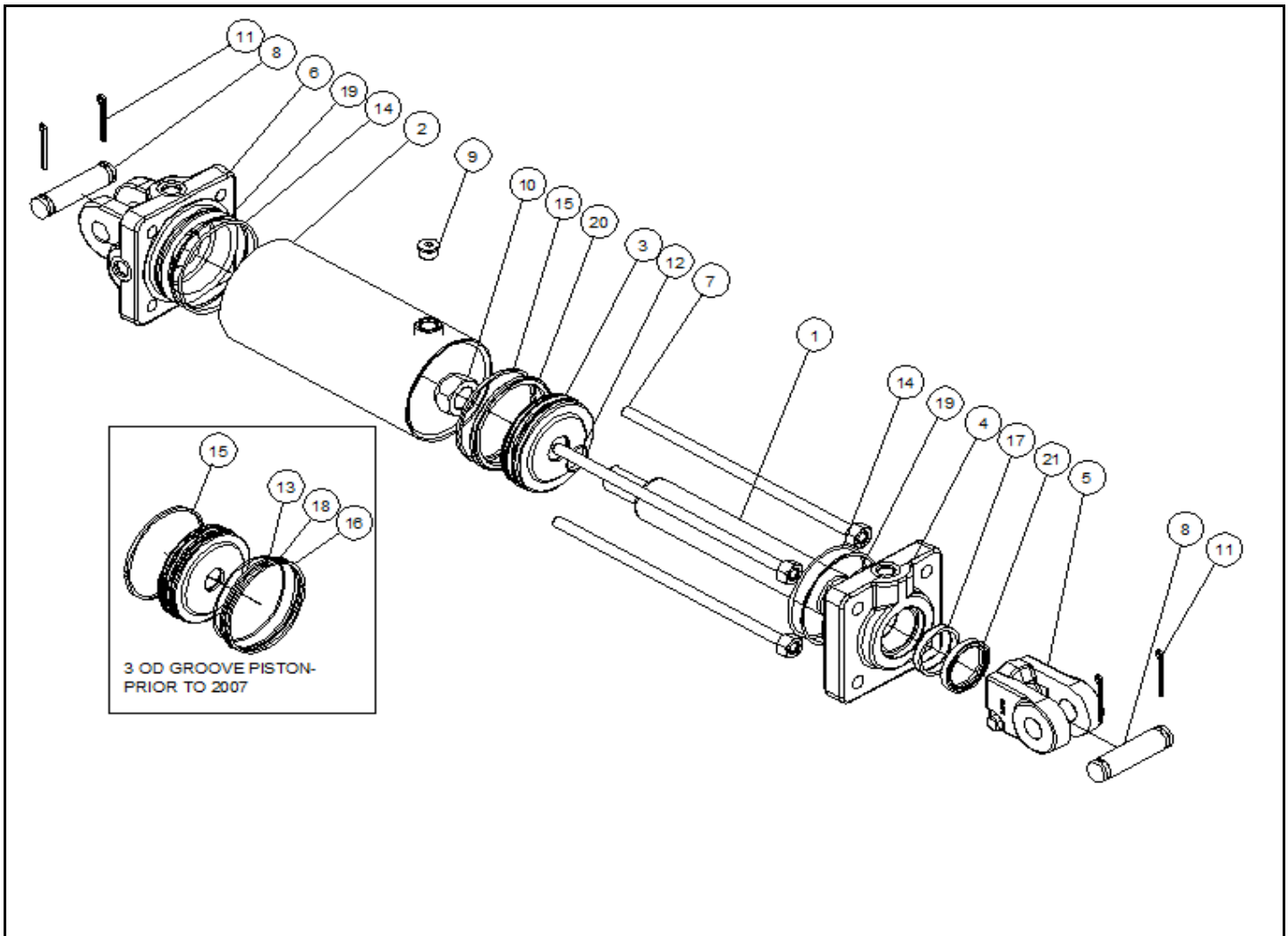
SERIES CYLINDERS 3.00" BORE 1.25" ROD

MODEL	ITEM	QUANTITY	PART NUMBER	DESCRIPTION
PMS-AM-2574	1	1	010600382	PISTON ROD
PMS-AM-2625	1	1	010600437	PISTON ROD
PMS-AM-2576	1	1	010600379	PISTON ROD
PMS-AM-2578	1	1	010600390	PISTON ROD
PMS-AM-2574	2	1	061500488	TUBE ASSY
PMS-AM-2625	2	1	061500638	TUBE ASSY
PMS-AM-2576	2	1	061500535	TUBE ASSY
PMS-AM-2578	2	1	061500536	TUBE ASSY
ALL	3	1	071500397	PISTON
ALL	4	1	081500337	GLAND ASSY
ALL	5	1	100000423	CLEVIS ASSY
ALL	6	1	1415005SF	BUTT CLEVIS
PMS-AM-2574	7	4	170201123	TIEROD
PMS-AM-2625	7	4	170201143	TIEROD
PMS-AM-2576	7	4	170201163	TIEROD



SERIES CYLINDER SYSTEMS

TIE ROD CONSTRUCTION- EXTERNAL STYLE BYPASS



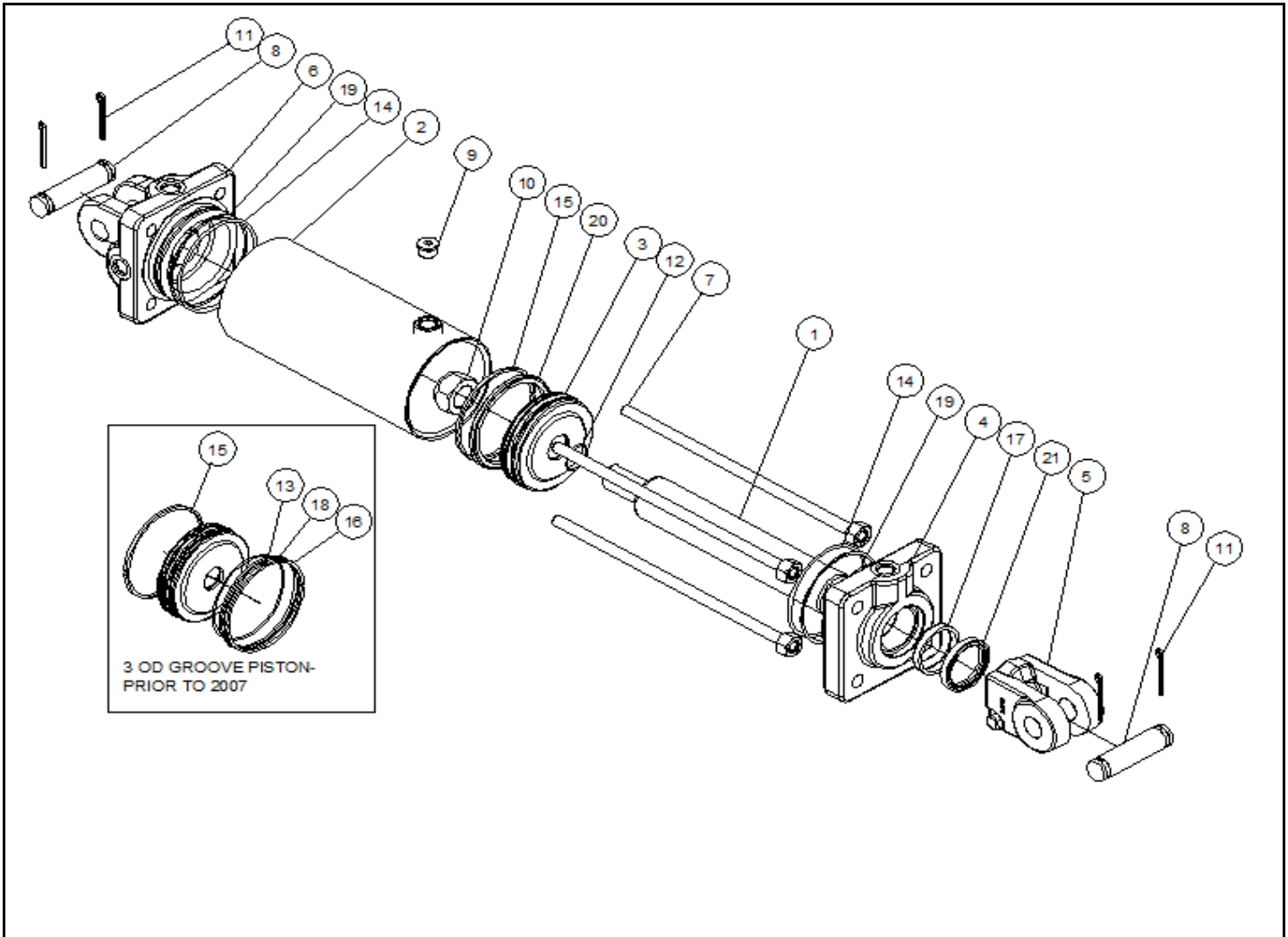
SERIES CYLINDERS 3.00" BORE 1.25" ROD

MODEL	ITEM	QUANTITY	PART NUMBER	DESCRIPTION
PMS-AM-2578	7	4	170201203	TIEROD
ALL	8	2	190400001	CLEVIS PIN
ALL	9	1	200300104	HOLLOW HEX PLUG
ALL	10	1	220000209	LOCKNUT
ALL	11	4	220001504	COTTER PIN
ALL	12	1*	240000026	O-RING
ALL	13	1**	240000145	O-RING
ALL	14	2*	240000232	O-RING
ALL	15	1*	240011095	BEARING RING
ALL	16	1**	240011095	BEARING RING
ALL	17	1*	240020184	U-CUP
ALL	18	1**	240035145	SQUARE TEFLON SEAL
ALL	19	2*	240061232	BU-WASHER
ALL	20	1*	240064300	RECTANGULAR TEFLON SEAL
ALL	21	1*	250014125	WIPER



SERIES CYLINDER SYSTEMS

TIE ROD CONSTRUCTION- EXTERNAL STYLE BYPASS



SERIES CYLINDERS 3.00" BORE 1.25" ROD

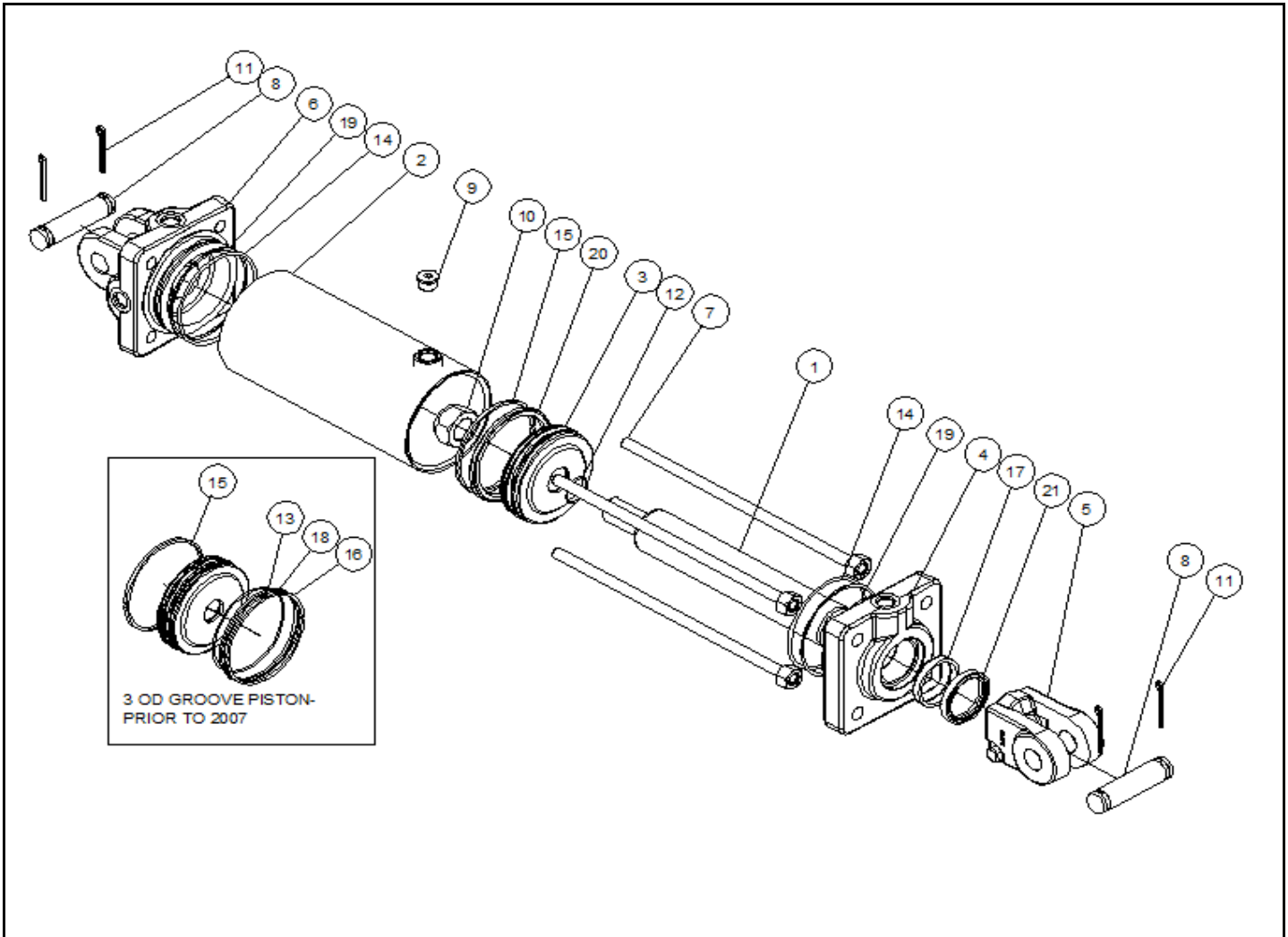
MODEL	ITEM	QUANTITY	PART NUMBER	DESCRIPTION
PMS-AM-2574			PMCK-AM-2574	PACKING KIT
PMS-AM-2625			PMCK-AM-2625	PACKING KIT
PMS-AM-2576			PMCK-AM-2576	PACKING KIT
PMS-AM-2578			PMCK-AM-2578	PACKING KIT

****PACKING KIT INCLUDES ITEMS TO RE-PACK 2 OD GROOVE (CURRENT) OR 3 OD GROOVE (PREVIOUS) PISTONS.**



SERIES CYLINDER SYSTEMS

TIE ROD CONSTRUCTION- EXTERNAL STYLE BYPASS



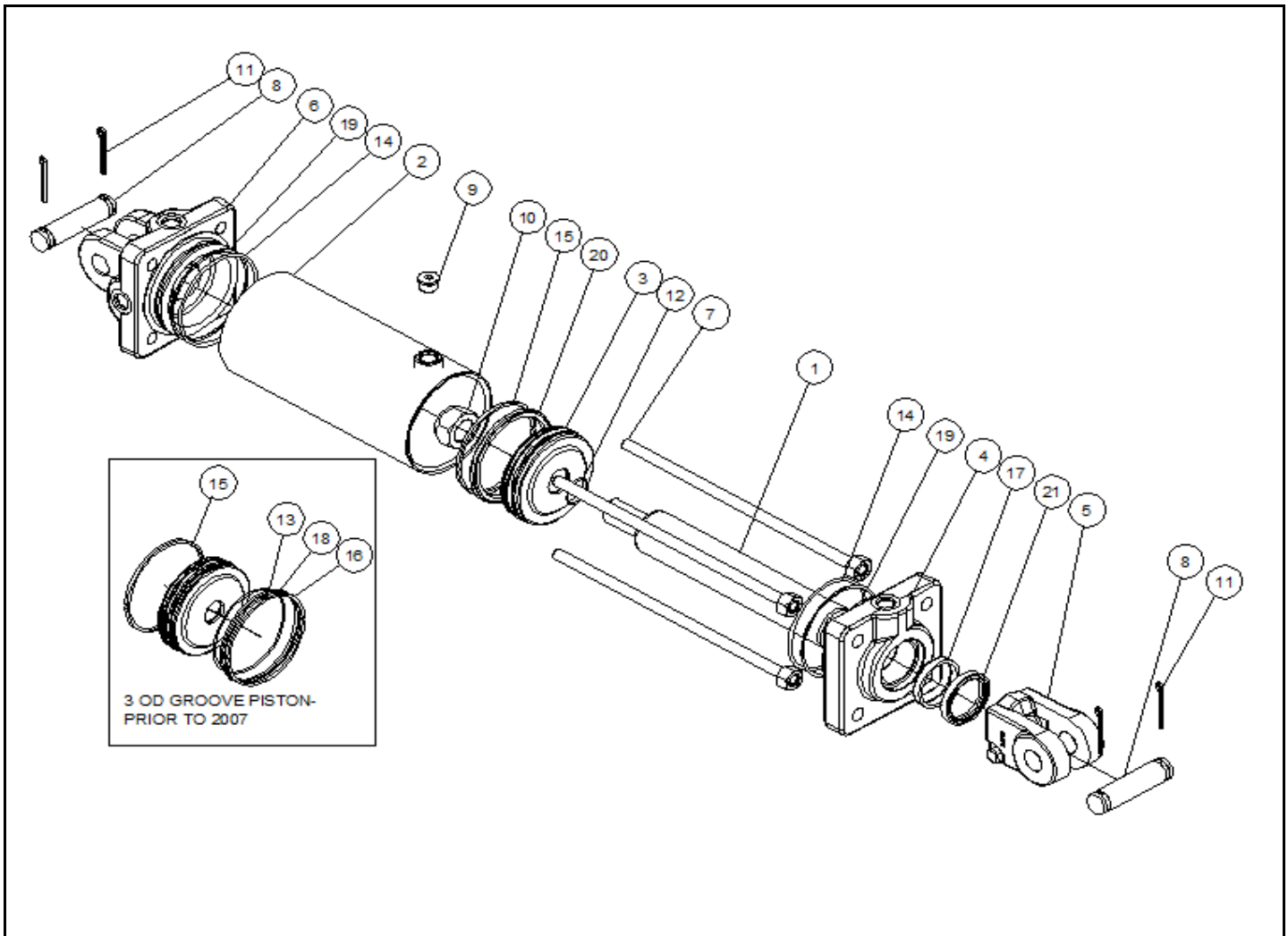
SERIES CYLINDERS 3.25" BORE 1.25" ROD

MODEL	ITEM	QUANTITY	PART NUMBER	DESCRIPTION
PMS-AM-2568	1	1	010600382	PISTON ROD
PMS-AM-2623	1	1	010600437	PISTON ROD
PMS-AM-2570	1	1	010600379	PISTON ROD
PMS-AM-2572	1	1	010600390	PISTON ROD
PMS-AM-2568	2	1	061600036	TUBE ASSY
PMS-AM-2623	2	1	061600055	TUBE ASSY
PMS-AM-2570	2	1	061600028	TUBE ASSY
PMS-AM-2572	2	1	061600039	TUBE ASSY
ALL	3	1	071600048	PISTON
ALL	4	1	081600038	GLAND ASSY
ALL	5	1	100000423	CLEVIS ASSY
ALL	6	1	141600002	BUTT CLEVIS
PMS-AM-2568	7	4	170201123	TIEROD
PMS-AM-2623	7	4	170201143	TIEROD
PMS-AM-2570	7	4	170201163	TIEROD



SERIES CYLINDER SYSTEMS

TIE ROD CONSTRUCTION- EXTERNAL STYLE BYPASS



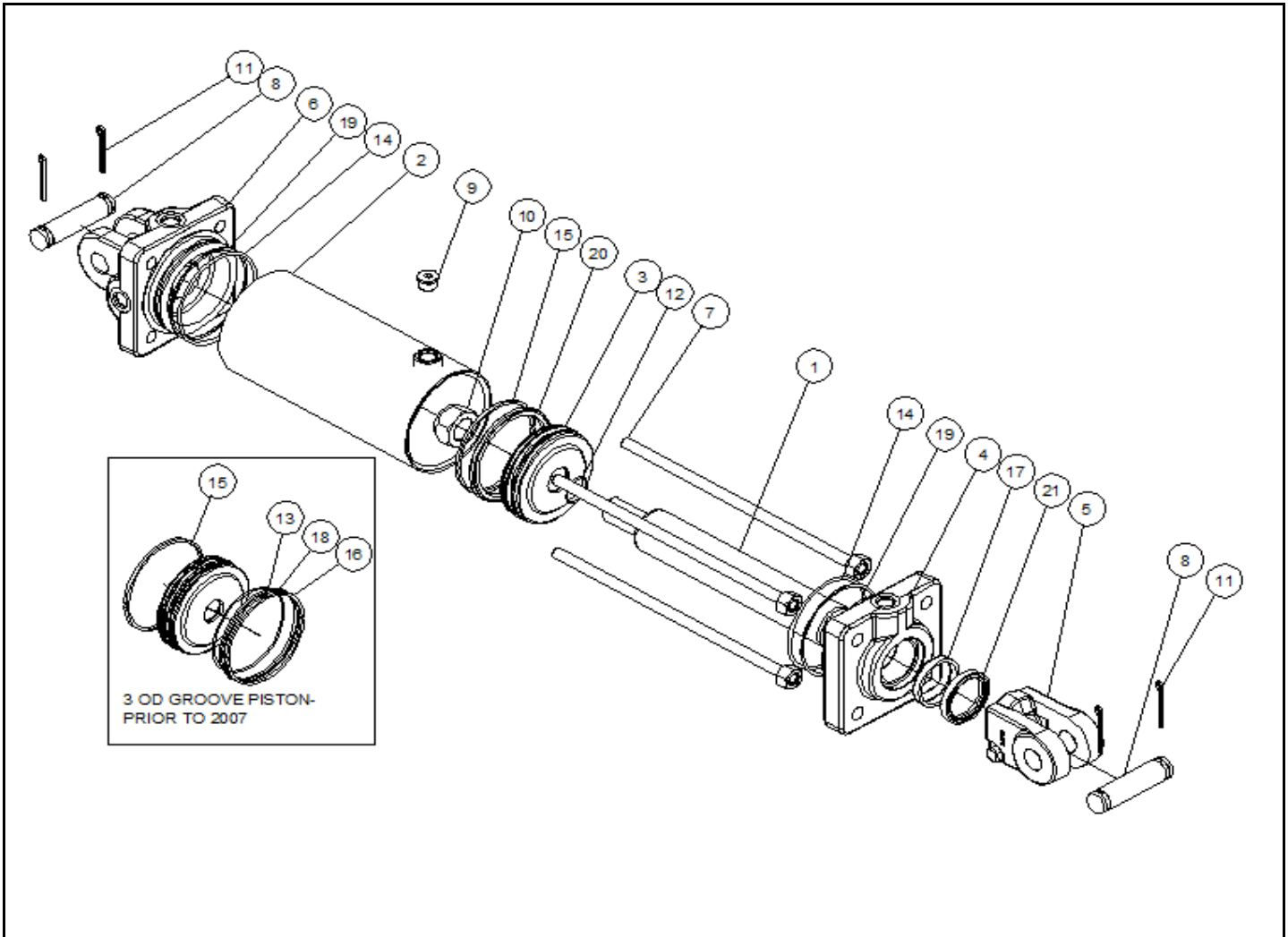
SERIES CYLINDERS 3.25" BORE 1.25" ROD

MODEL	ITEM	QUANTITY	PART NUMBER	DESCRIPTION
PMS-AM-2572	7	4	170201203	TIEROD
ALL	8	2	190400001	CLEVIS PIN
ALL	9	1	200300104	HOLLOW HEX PLUG
ALL	10	1	220000209	LOCKNUT
ALL	11	4	220001504	COTTER PIN
ALL	12	1*	240000026	O-RING
ALL	13	1**	240000149	O-RING
ALL	14	2*	240000234	O-RING
ALL	15	1*	240011097	BEARING RING
ALL	16	1**	240011097	BEARING RING
ALL	17	1*	240020184	U-CUP
ALL	18	1**	240035149	SQUARE TEFLON SEAL
ALL	19	2*	240061234	BU-WASHER
ALL	20	1*	240064325	RECTANGULAR TEFLON SEAL
ALL	21	1*	250014125	WIPER



SERIES CYLINDER SYSTEMS

TIE ROD CONSTRUCTION- EXTERNAL STYLE BYPASS



SERIES CYLINDERS 3.25" BORE 1.25" ROD

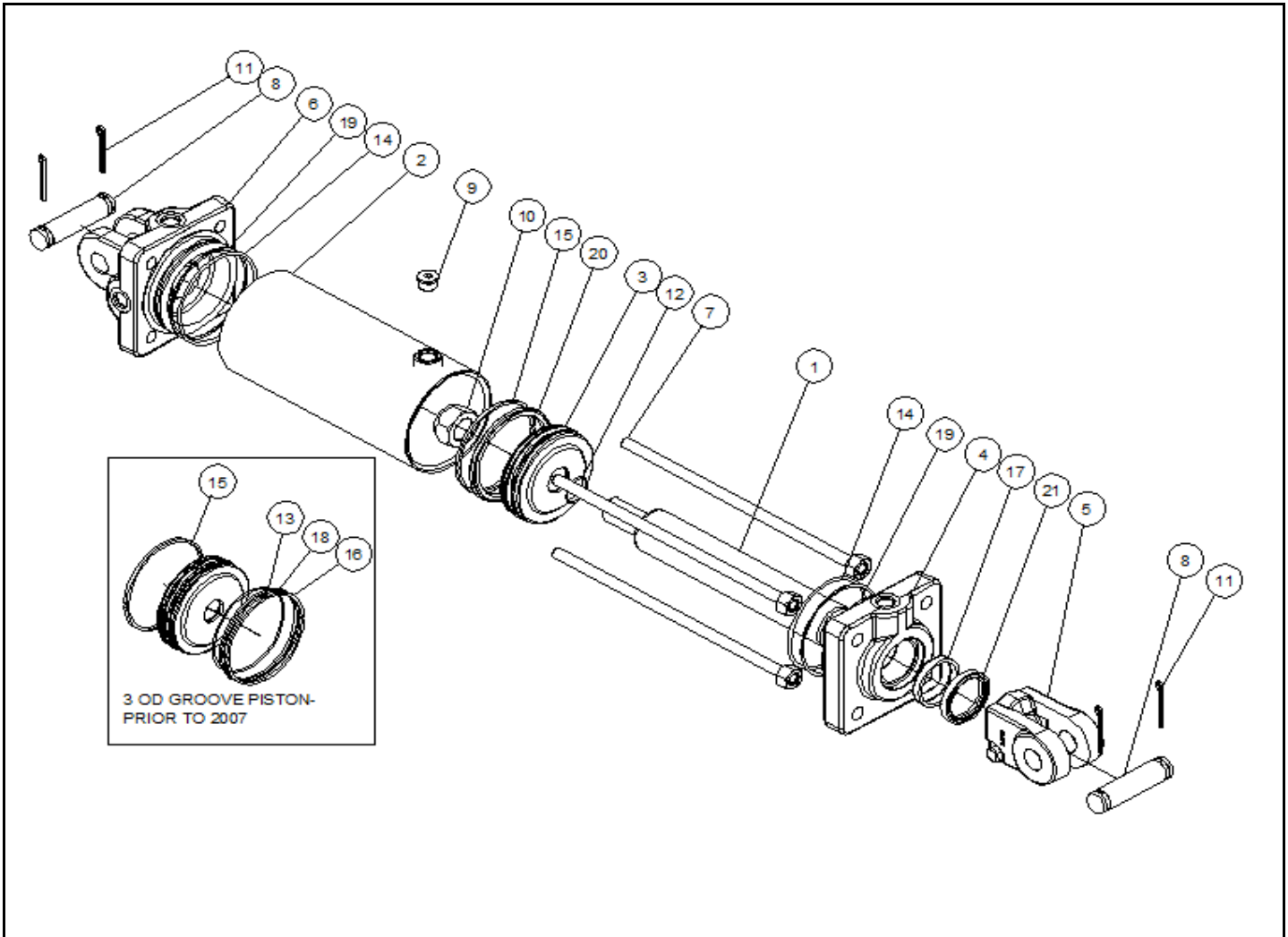
MODEL	ITEM	QUANTITY	PART NUMBER	DESCRIPTION
PMS-AM-2568			PMCK-AM-2568	PACKING KIT
PMS-AM-2623			PMCK-AM-2623	PACKING KIT
PMS-AM-2570			PMCK-AM-2570	PACKING KIT
PMS-AM-2572			PMCK-AM-2572	PACKING KIT

****PACKING KIT INCLUDES ITEMS TO RE-PACK 2 OD GROOVE (CURRENT) OR 3 OD GROOVE (PREVIOUS) PISTONS.**



SERIES CYLINDER SYSTEMS

TIE ROD CONSTRUCTION- EXTERNAL STYLE BYPASS



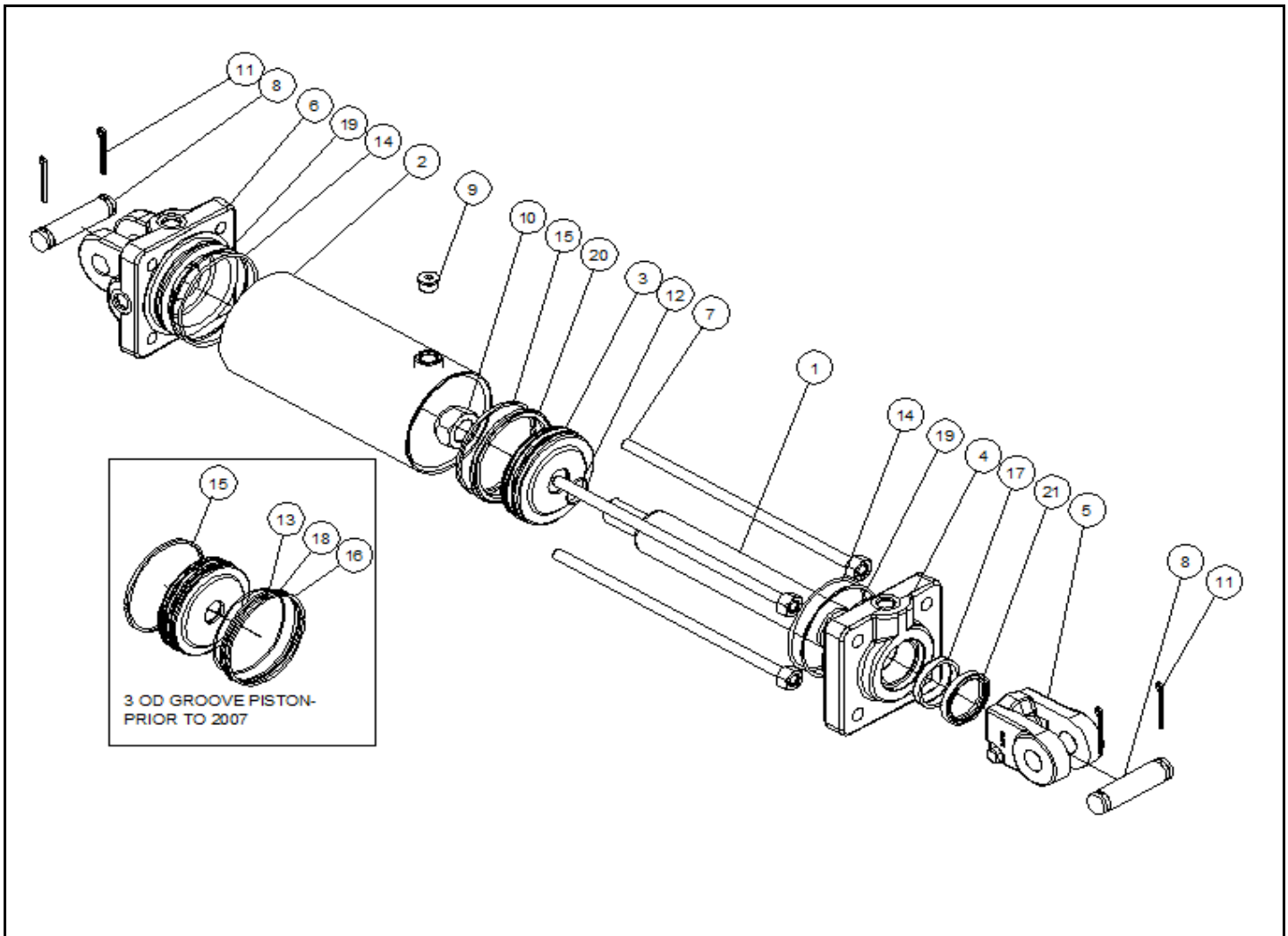
SERIES CYLINDERS 3.50" BORE 1.25" ROD

MODEL	ITEM	QUANTITY	PART NUMBER	DESCRIPTION
PMS-AM-2562	1	1	010600382	PISTON ROD
PMS-AM-2621	1	1	010600437	PISTON ROD
PMS-AM-2564	1	1	010600379	PISTON ROD
PMS-AM-2566	1	1	010600390	PISTON ROD
PMS-AM-2562	2	1	061700397	TUBE ASSY
PMS-AM-2621	2	1	061700497	TUBE ASSY
PMS-AM-2564	2	1	061700366	TUBE ASSY
PMS-AM-2566	2	1	061700413	TUBE ASSY
ALL	3	1	071700345	PISTON
ALL	4	1	081700269	GLAND ASSY
ALL	5	1	100000423	CLEVIS ASSY
ALL	6	1	1417005SF	BUTT CLEVIS
PMS-AM-2562	7	4	170201123	TIEROD
PMS-AM-2621	7	4	170201143	TIEROD
PMS-AM-2564	7	4	170201163	TIEROD



SERIES CYLINDER SYSTEMS

TIE ROD CONSTRUCTION- EXTERNAL STYLE BYPASS



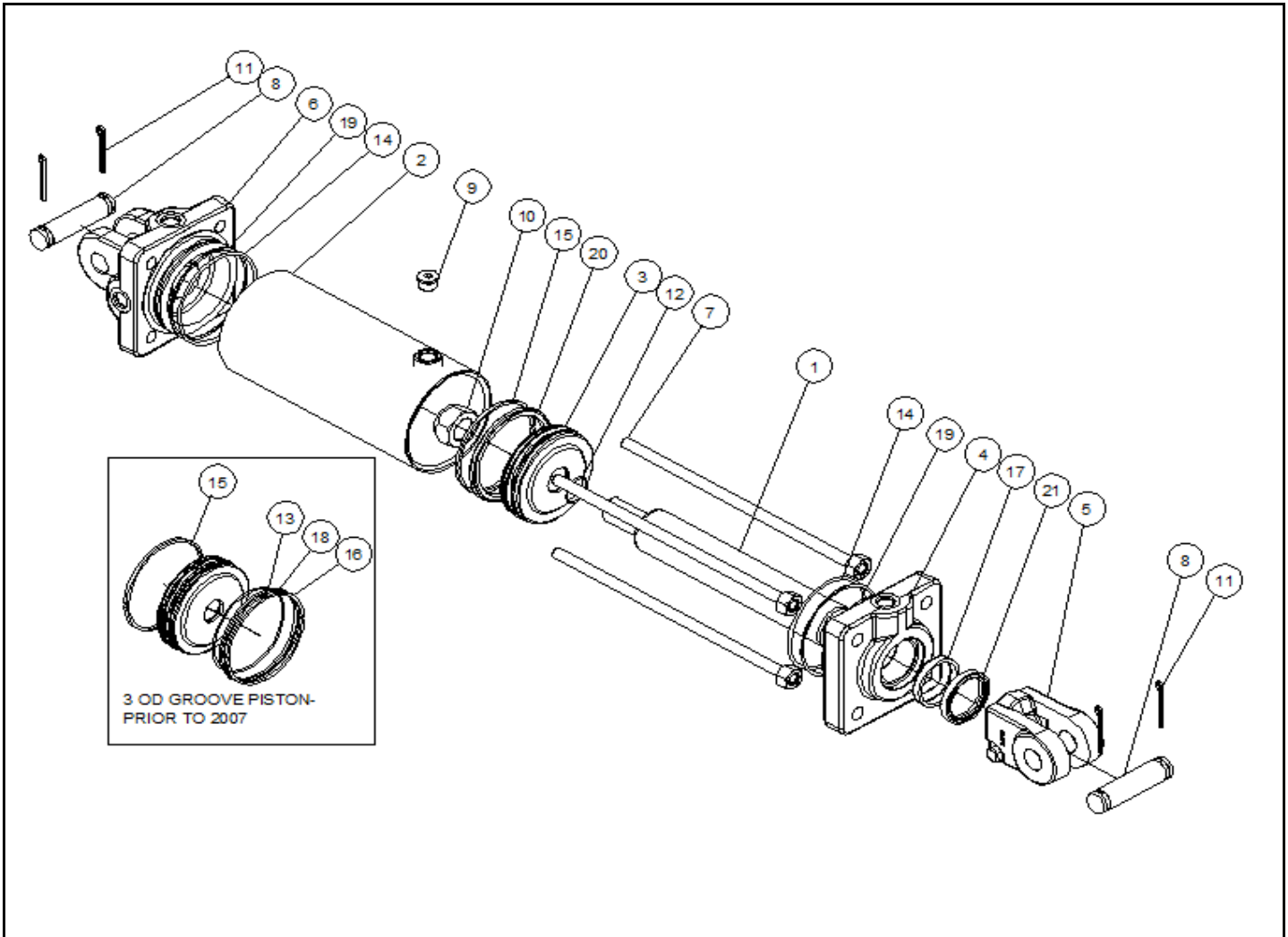
SERIES CYLINDERS 3.50" BORE 1.25" ROD

PMS-AM-2566	7	4	170201203	TIEROD
ALL	8	2	190400001	CLEVIS PIN
ALL	9	1	200300104	HOLLOW HEX PLUG
ALL	10	1	220000209	LOCKNUT
ALL	11	4	220001504	COTTER PIN
ALL	12	1*	240000026	O-RING
ALL	13	1**	240000151	O-RING
ALL	14	2*	240000236	O-RING
ALL	15	1*	240011096	BEARING RING
ALL	16	1**	240011096	BEARING RING
ALL	17	1*	240020184	U-CUP
ALL	18	1**	240035151	SQUARE TEFLON SEAL
ALL	19	2*	240061236	BU-WASHER
ALL	20	1*	240064350	RECTANGULAR TEFLON SEAL
ALL	21	1*	250014125	WIPER
PMS-AM-2562			PMCK-AM-2562	PACKING KIT



SERIES CYLINDER SYSTEMS

TIE ROD CONSTRUCTION- EXTERNAL STYLE BYPASS



SERIES CYLINDERS 3.50" BORE 1.25" ROD

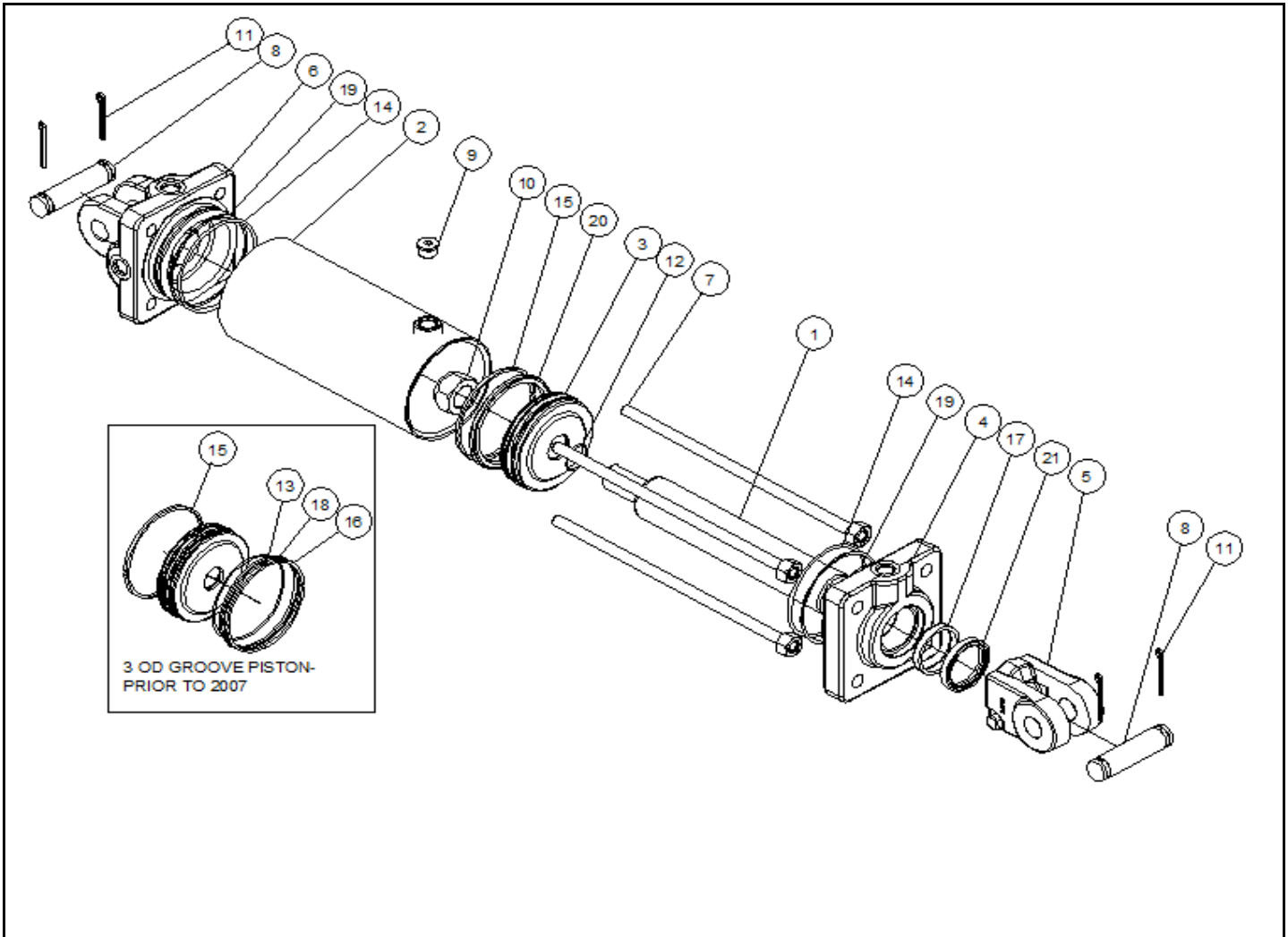
PMS-AM-2621			PMCK-AM-2621	PACKING KIT
PMS-AM-2564			PMCK-AM-2564	PACKING KIT
PMS-AM-2566			PMCK-AM-2566	PACKING KIT

****PACKING KIT INCLUDES ITEMS TO RE-PACK 2 OD GROOVE (CURRENT) OR 3 OD GROOVE (PREVIOUS) PISTONS.**



SERIES CYLINDER SYSTEMS

TIE ROD CONSTRUCTION- EXTERNAL STYLE BYPASS



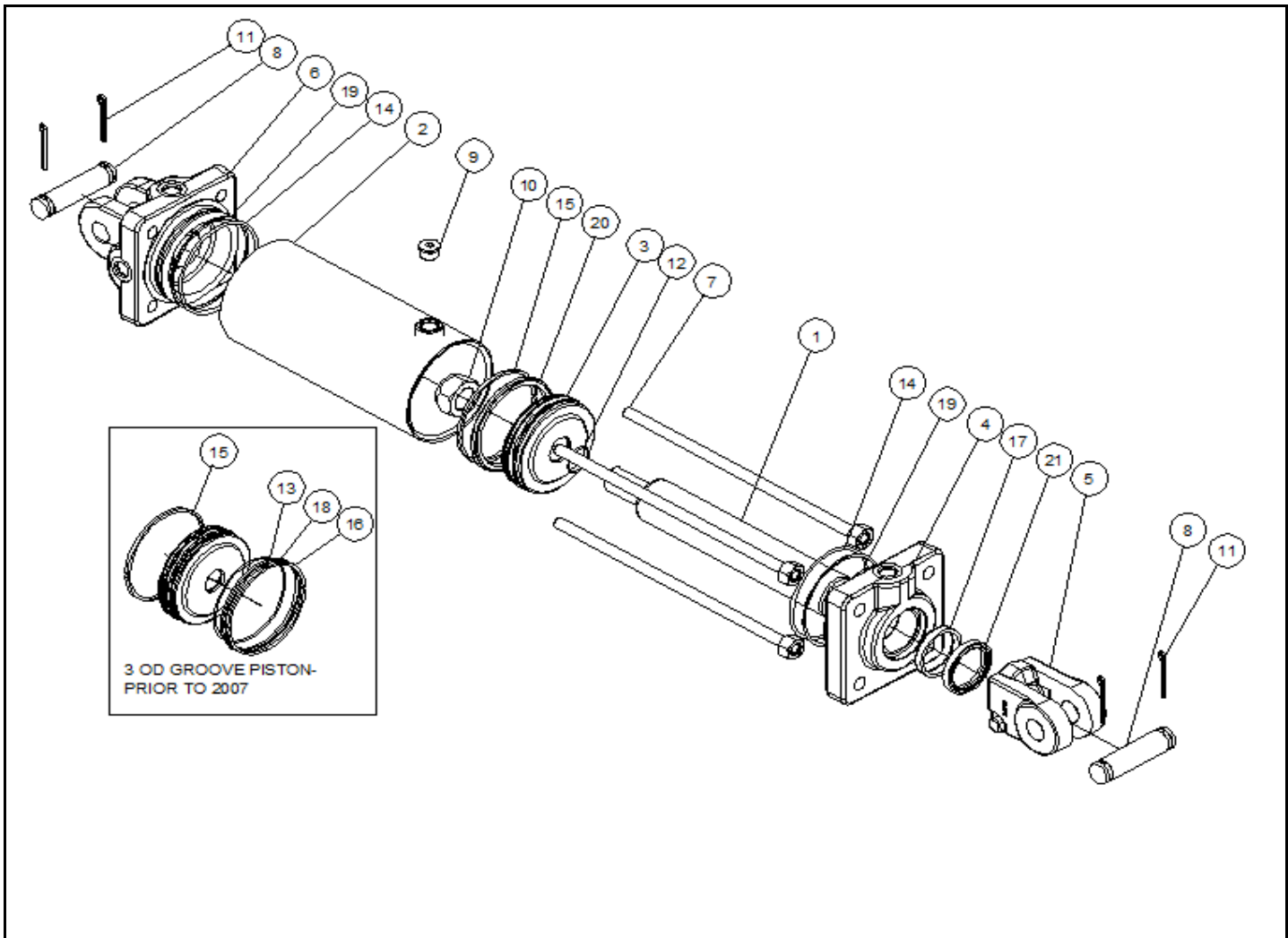
SERIES CYLINDERS 3.75" BORE 1.375" ROD

MODEL	ITEM	QUANTITY	PART NUMBER	DESCRIPTION
PMS-AM-2556A	1	1	010700696	PISTON ROD
PMS-AM-2619A	1	1	010700697	PISTON ROD
PMS-AM-2558A	1	1	010700698	PISTON ROD
PMS-AM-2560A	1	1	010700699	PISTON ROD
PMS-AM-2556A	2	1	061800021	TUBE ASSY
PMS-AM-2619A	2	1	061800035	TUBE ASSY
PMS-AM-2558A	2	1	061800022	TUBE ASSY
PMS-AM-2560A	2	1	061800024	TUBE ASSY
ALL	3	1	071800032	PISTON
ALL	4	1	081800022	GLAND ASSY
ALL	5	1	100000577	CLEVIS ASSY
ALL	6	1	1418005SF	BUTT CLEVIS
PMS-AM-2556A	7	4	170301133	TIEROD
PMS-AM-2619A	7	4	170301153	TIEROD
PMS-AM-2558A	7	4	170301173	TIEROD



SERIES CYLINDER SYSTEMS

TIE ROD CONSTRUCTION- EXTERNAL STYLE BYPASS



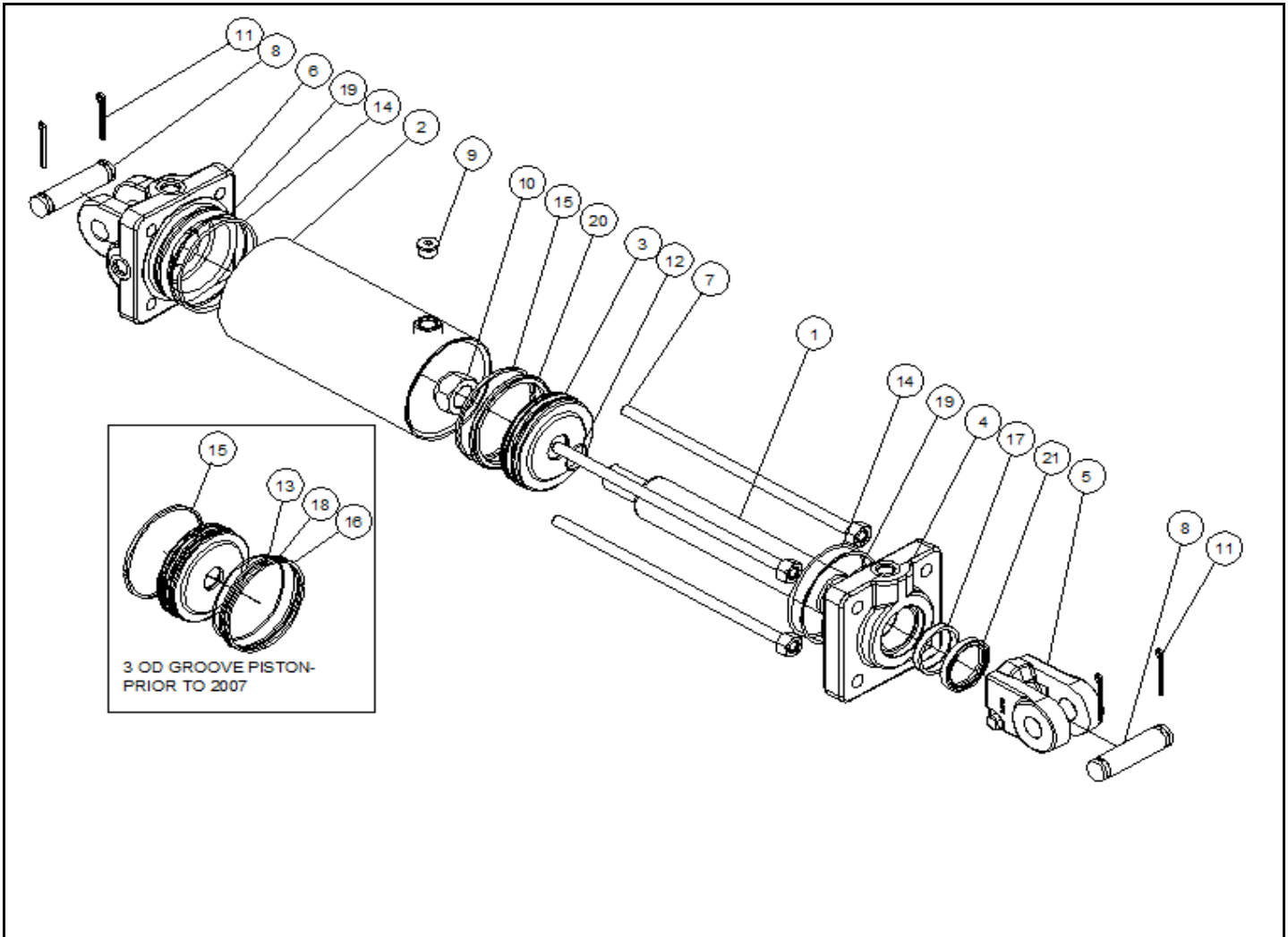
SERIES CYLINDERS 3.75" BORE 1.375" ROD

MODEL	ITEM	QUANTITY	PART NUMBER	DESCRIPTION
PMS-AM-2560A	7	4	170301213	TIEROD
ALL	8	2	190400004	CLEVIS PIN
ALL	9	1	200300104	HOLLOW HEX PLUG
ALL	10	1	220000210	LOCKNUT
ALL	11	4	220001504	COTTER PIN
ALL	12	1*	240000028	O-RING
ALL	13	1**	240000152	O-RING
ALL	14	2*	240000238	O-RING
ALL	15	1*	240011098	BEARING RING
ALL	16	1**	240011098	BEARING RING
ALL	17	1*	240020185	U-CUP
ALL	18	1**	240035152	SQUARE TEFLON SEAL
ALL	19	2*	240061238	BU-WASHER
ALL	20	1*	240064375	RECTANGULAR TEFLON SEAL
ALL	21	1*	250014137	WIPER



SERIES CYLINDER SYSTEMS

TIE ROD CONSTRUCTION- EXTERNAL STYLE BYPASS



SERIES CYLINDERS 3.75" BORE 1.375" ROD

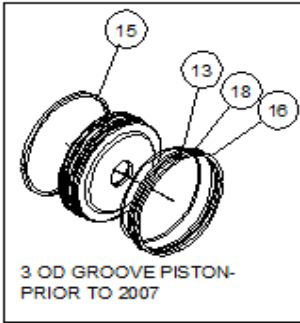
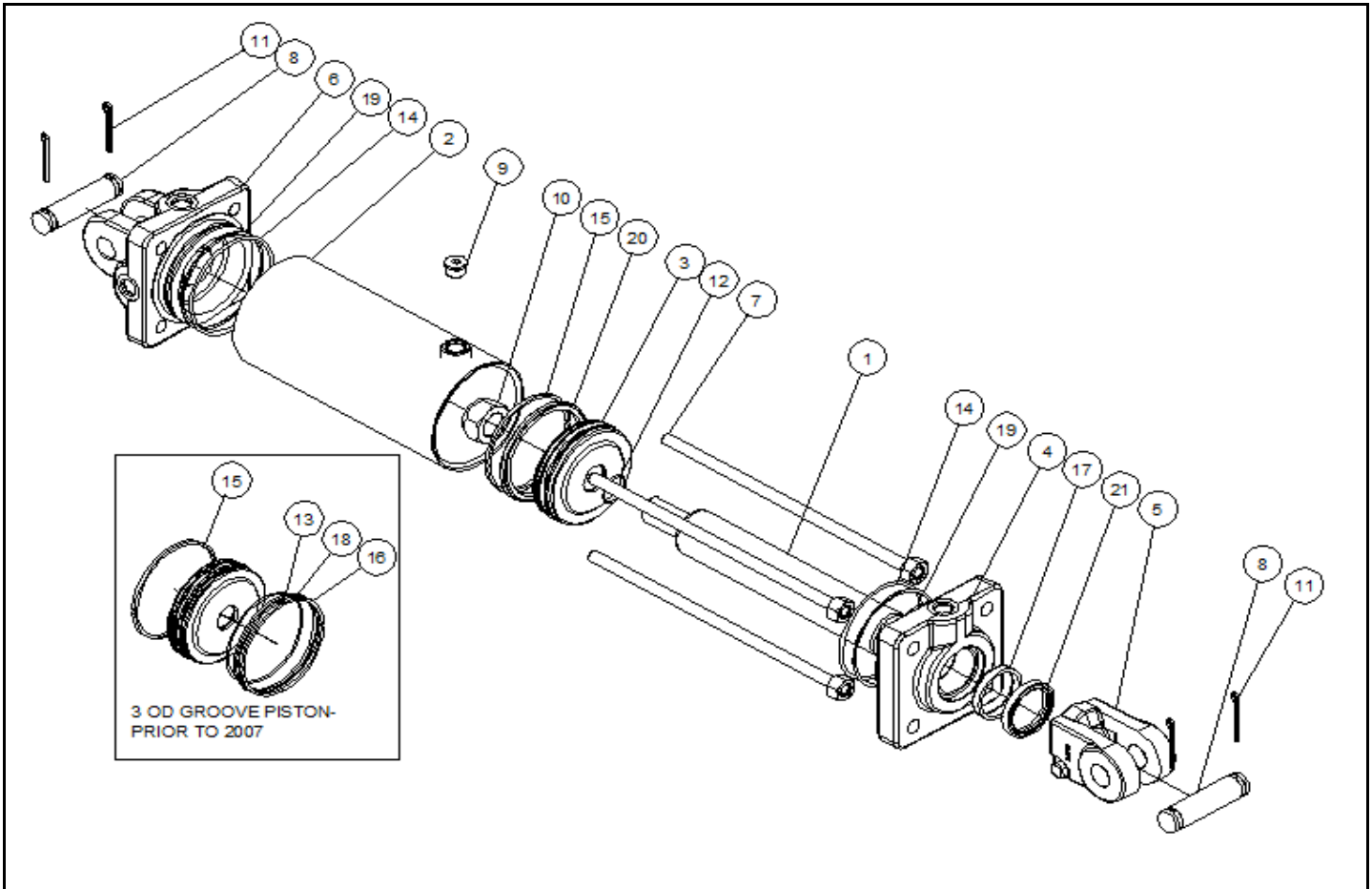
MODEL	ITEM	QUANTITY	PART NUMBER	DESCRIPTION
PMS-AM-2556A			PMCK-AM-2556A	PACKING KIT
PMS-AM-2619A			PMCK-AM-2619A	PACKING KIT
PMS-AM-2558A			PMCK-AM-2558A	PACKING KIT
PMS-AM-2560A			PMCK-AM-2560A	PACKING KIT

****PACKING KIT INCLUDES ITEMS TO RE-PACK 2 OD GROOVE (CURRENT) OR 3 OD GROOVE (PREVIOUS) PISTONS.**



SERIES CYLINDER SYSTEMS

TIE ROD CONSTRUCTION- EXTERNAL STYLE BYPASS



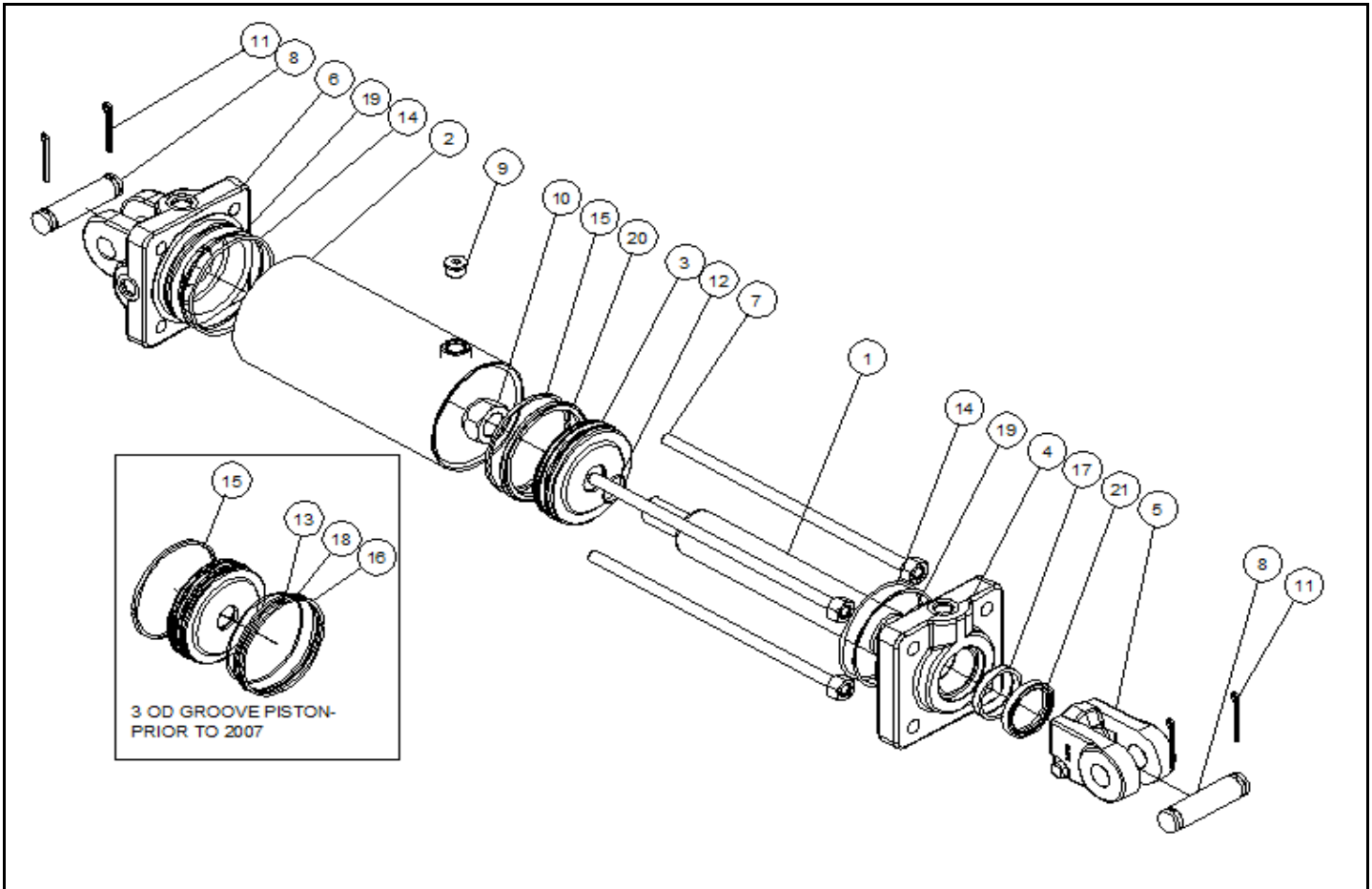
SERIES CYLINDERS 4.00" BORE 1.375" ROD

MODEL	ITEM	QUANTITY	PART NUMBER	DESCRIPTION
PMS-AM-2550A	1	1	010700696	PISTON ROD
PMS-AM-2617A	1	1	010700697	PISTON ROD
PMS-AM-2552A	1	1	010700698	PISTON ROD
PMS-AM-2554A	1	1	010700699	PISTON ROD
PMS-AM-2550A	2	1	061900579	TUBE ASSY
PMS-AM-2617A	2	1	061900724	TUBE ASSY
PMS-AM-2552A	2	1	061900598	TUBE ASSY
PMS-AM-2554A	2	1	061900610	TUBE ASSY
ALL	3	1	071900412	PISTON
ALL	4	1	081900374	GLAND ASSY
ALL	5	1	100000577	CLEVIS ASSY
ALL	6	1	1419005SF	BUTT CLEVIS
PMS-AM-2550A	7	4	170301133	TIEROD
PMS-AM-2617A	7	4	170301153	TIEROD
PMS-AM-2552A	7	4	170301173	TIEROD
PMS-AM-2554A	7	4	170301213	TIEROD
ALL	8	2	190400004	CLEVIS PIN
ALL	9	1	200300104	HOLLOW HEX PLUG



SERIES CYLINDER SYSTEMS

TIE ROD CONSTRUCTION- EXTERNAL STYLE BYPASS



SERIES CYLINDERS 4.00" BORE 1.375" ROD

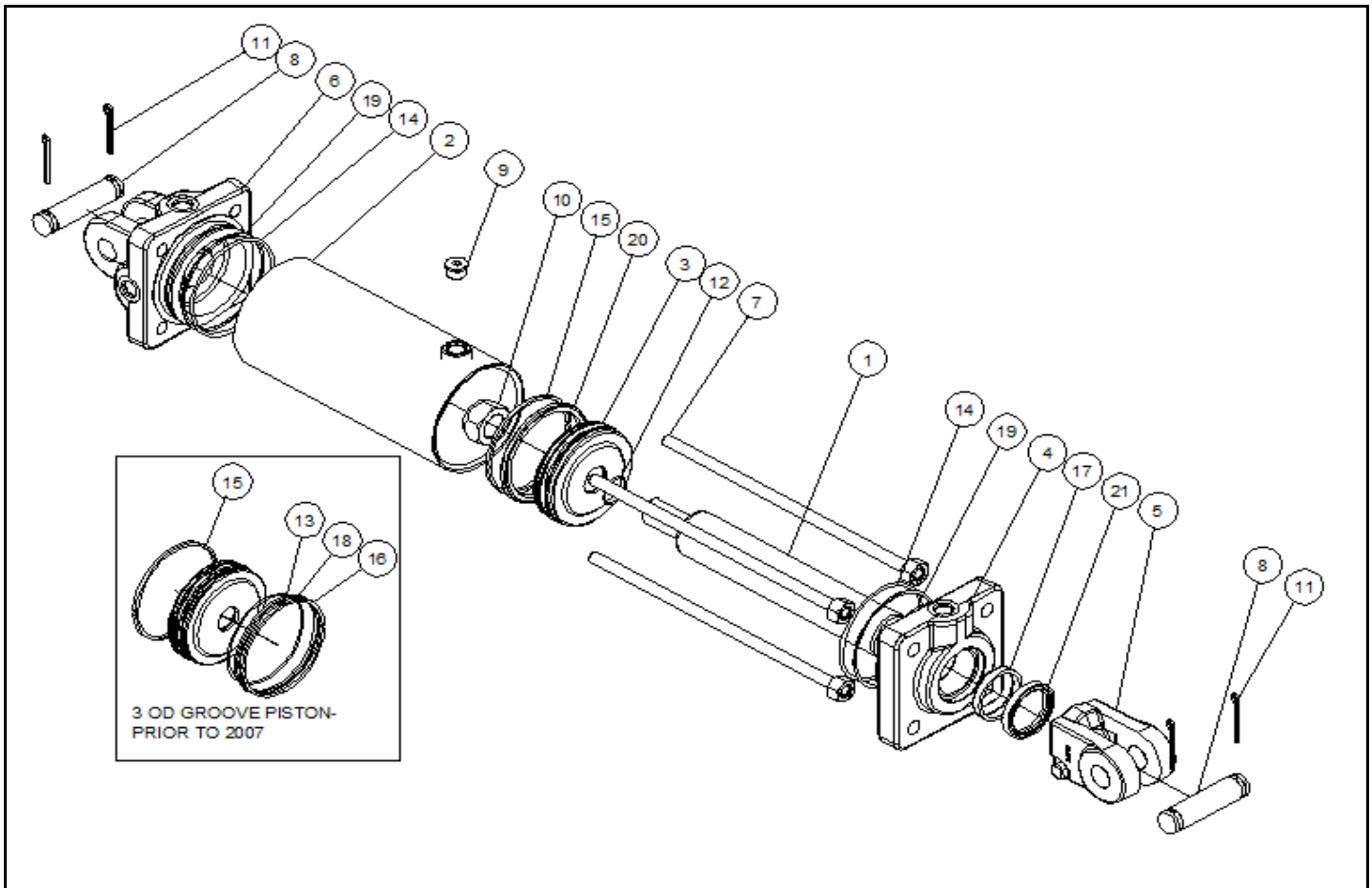
MODEL	ITEM	QUANTITY	PART NUMBER	DESCRIPTION
ALL	10	1	220000210	LOCKNUT
ALL	11	4	220001504	COTTER PIN
ALL	12	1*	240000028	O-RING
ALL	13	1**	240000153	O-RING
ALL	14	2*	240000240	O-RING
ALL	15	1*	240011105	BEARING RING
ALL	16	1**	240011105	BEARING RING
ALL	17	1*	240020185	U-CUP
ALL	18	1**	240035153	SQUARE TEFLON SEAL
ALL	19	2*	240061240	BU-WASHER
ALL	20	1*	240064400	RECTANGULAR TEFLON SEAL
ALL	21	1*	250014137	WIPER
PMS-AM-2550A			PMCK-AM-2550A	PACKING KIT
PMS-AM-2617A			PMCK-AM-2617A	PACKING KIT
PMS-AM-2552A			PMCK-AM-2552A	PACKING KIT
PMS-AM-2554A			PMCK-AM-2554A	PACKING KIT

****PACKING KIT INCLUDES ITEMS TO RE-PACK 2 OD GROOVE (CURRENT) OR 3 OD GROOVE (PREVIOUS) PISTONS.**



SERIES CYLINDER SYSTEMS

TIE ROD CONSTRUCTION- EXTERNAL STYLE BYPASS



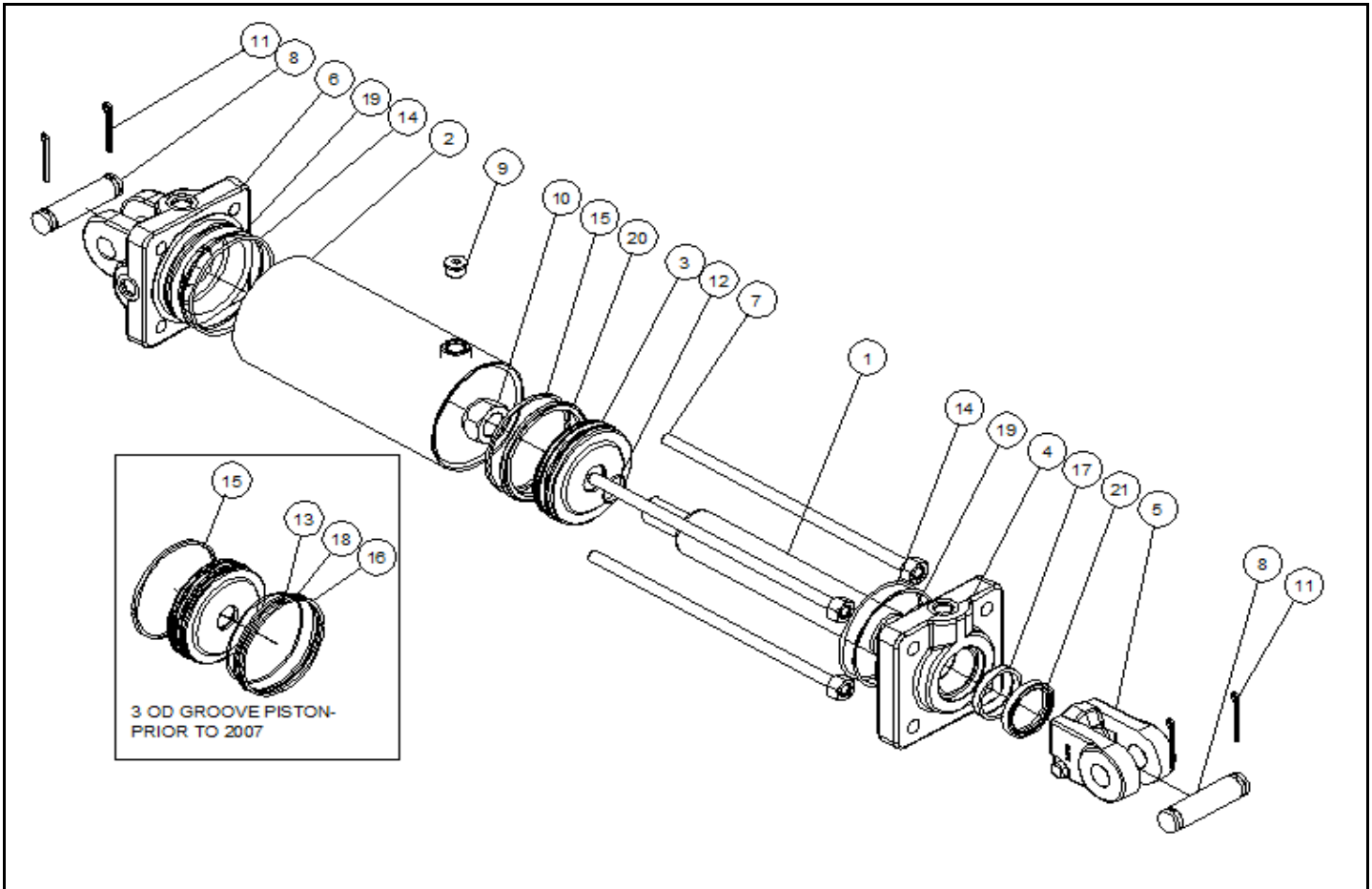
SERIES CYLINDERS 4.50" BORE 2.00" ROD

MODEL	ITEM	QUANTITY	PART NUMBER	DESCRIPTION
PMS-AM-2544	1	1	011100732	PISTON ROD
PMS-AM-2615	1	1	011100769	PISTON ROD
PMS-AM-2546	1	1	011100737	PISTON ROD
PMS-AM-2548	1	1	010100744	PISTON ROD
PMS-AM-2544	2	1	062000079	TUBE ASSY
PMS-AM-2615	2	1	062000137	TUBE ASSY
PMS-AM-2546	2	1	062000080	TUBE ASSY
PMS-AM-2548	2	1	062000081	TUBE ASSY
ALL	3	1	072000192	PISTON
ALL	4	1	082000092	GLAND ASSY
ALL	5	1	100000326	CLEVIS ASSY
ALL	6	1	142000004	BUTT CLEVIS
PMS-AM-2544	7	4	170301136	TIEROD
PMS-AM-2615	7	4	170301156	TIEROD
PMS-AM-2546	7	4	170301176	TIEROD
PMS-AM-2548	7	4	170301216	TIEROD
ALL	8	2	190400004	CLEVIS PIN
ALL	9	1	200300104	HOLLOW HEX PLUG



SERIES CYLINDER SYSTEMS

TIE ROD CONSTRUCTION- EXTERNAL STYLE BYPASS



SERIES CYLINDERS 4.50" BORE 2.00" ROD

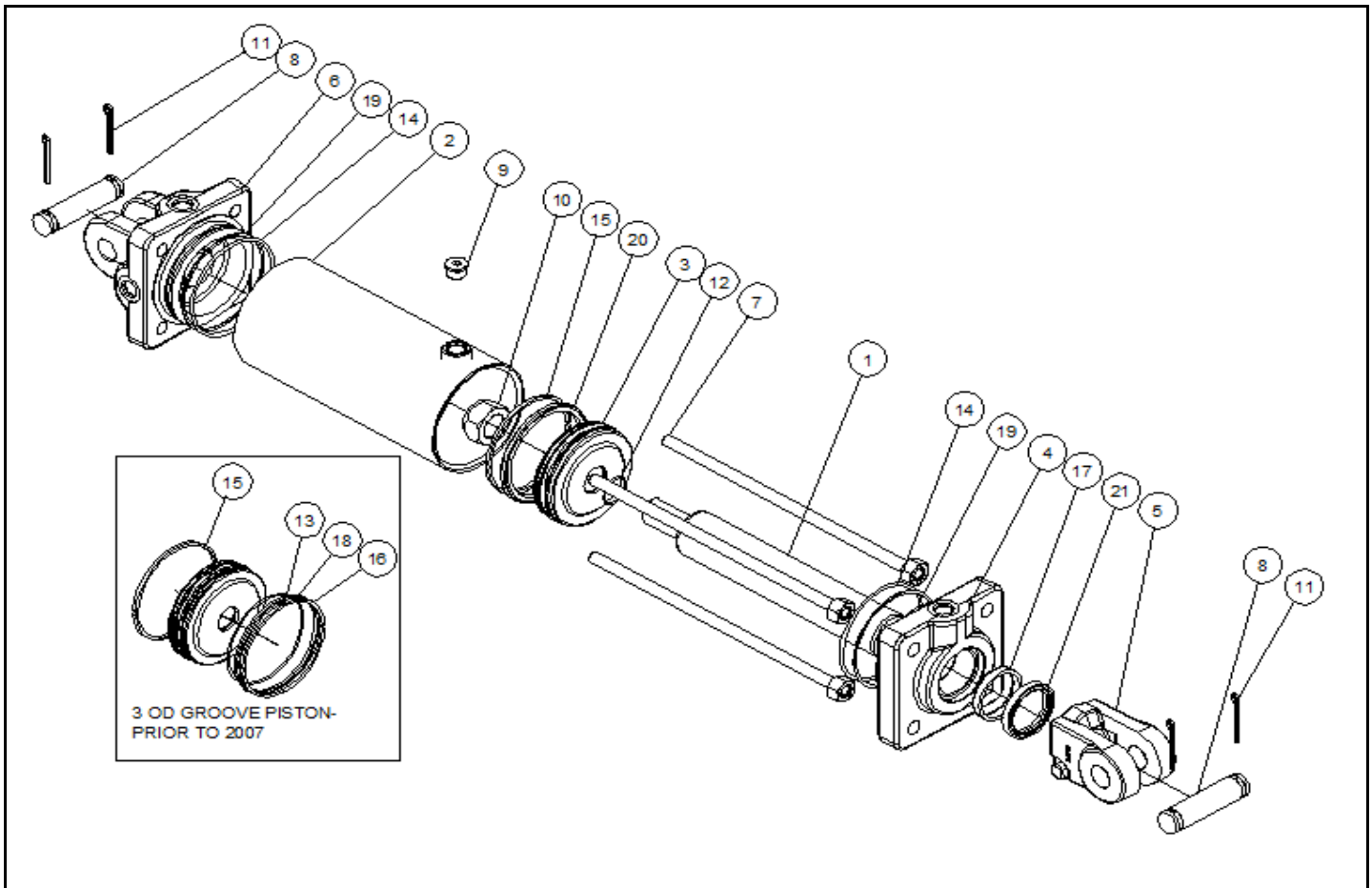
MODEL	ITEM	QUANTITY	PART NUMBER	DESCRIPTION
ALL	10	1	220000211	LOCKNUT
ALL	11	4	220001504	COTTER PIN
ALL	12	1*	240000024	O-RING
ALL	13	1**	240000155	O-RING
ALL	14	2*	240000244	O-RING
ALL	15	1*	240011112	BEARING RING
ALL	16	1**	240011112	BEARING RING
ALL	17	1*	240020009	U-CUP
ALL	18	1**	240035155	SQUARE TEFLON SEAL
ALL	19	2*	240061244	BU-WASHER
ALL	20	1*	240064450	RECTANGULAR TEFLON SEAL
ALL	21	1*	250014200	WIPER
PMS-AM-2544			PMCK-AM-2544	PACKING KIT
PMS-AM-2615			PMCK-AM-2615	PACKING KIT
PMS-AM-2546			PMCK-AM-2546	PACKING KIT
PMS-AM-2548			PMCK-AM-2548	PACKING KIT

****PACKING KIT INCLUDES ITEMS TO RE-PACK 2 OD GROOVE (CURRENT) OR 3 OD GROOVE (PREVIOUS) PISTONS.**



SERIES CYLINDER SYSTEMS

TIE ROD CONSTRUCTION- EXTERNAL STYLE BYPASS



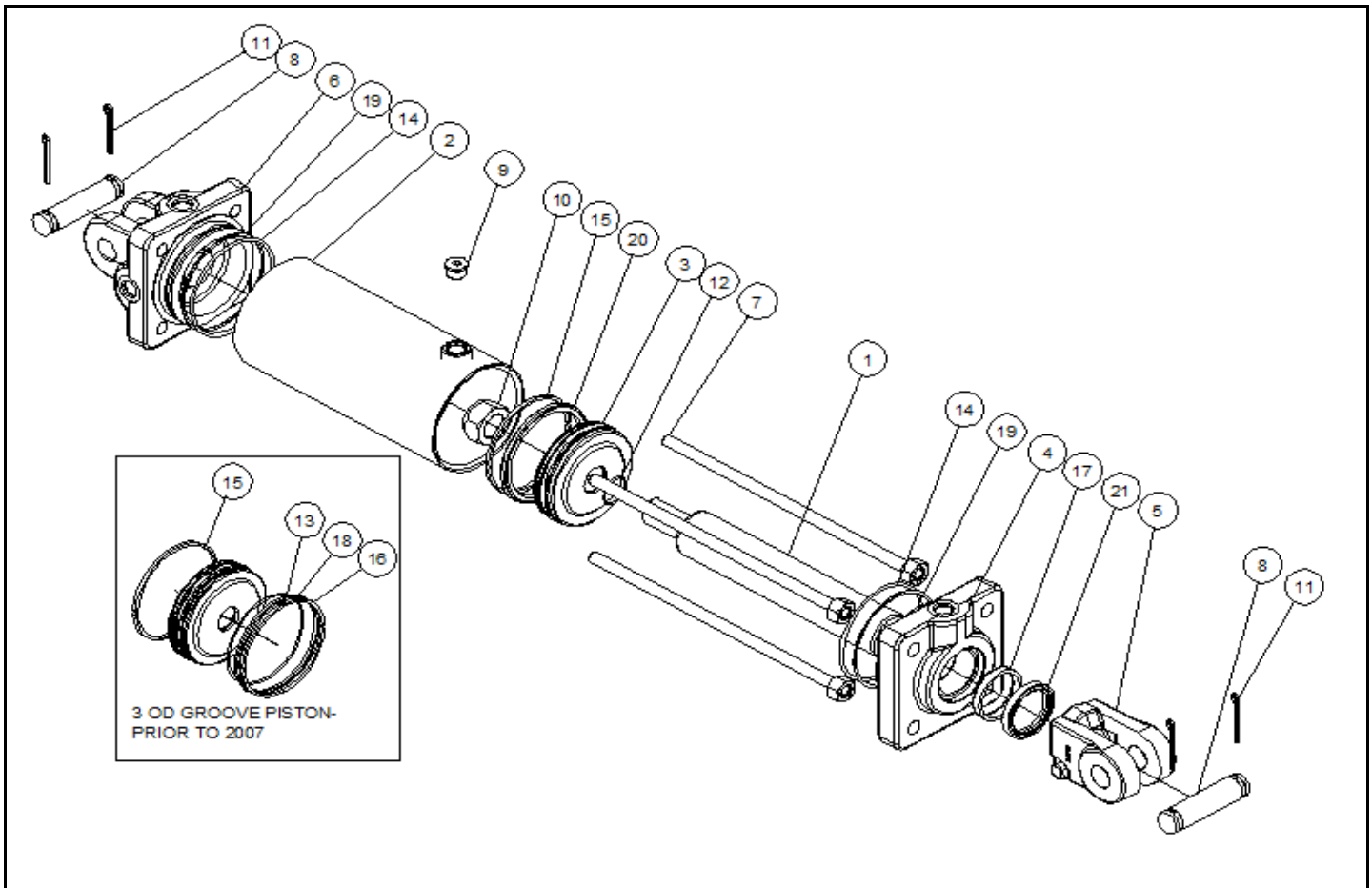
SERIES CYLINDERS 4.75" BORE 1.50" ROD

MODEL	ITEM	QUANTITY	PART NUMBER	DESCRIPTION
PMS-AM-2538	1	1	010800648	PISTON ROD
PMS-AM-2613	1	1	010800873	PISTON ROD
PMS-AM-2540	1	1	0108006	PISTON ROD
PMS-AM-2542	1	1	010800690	PISTON ROD
PMS-AM-2538	2	1	062100544	TUBE ASSY
PMS-AM-2613	2	1	062100698	TUBE ASSY
PMS-AM-2540	2	1	062100548	TUBE ASSY
PMS-AM-2542	2	1	062100549	TUBE ASSY
ALL	3	1	072100372	PISTON
ALL	4	1	082100284	GLAND ASSY
ALL	5	1	100000326	CLEVIS ASSY
ALL	6	1	142100019	BUTT CLEVIS
PMS-AM-2538	7	4	170301136	TIEROD
PMS-AM-2613	7	4	170301156	TIEROD
PMS-AM-2540	7	4	170301176	TIEROD
PMS-AM-2542	7	4	170301216	TIEROD
ALL	8	2	190400004	CLEVIS PIN
ALL	9	1	200300104	HOLLOW HEX PLUG



SERIES CYLINDER SYSTEMS

TIE ROD CONSTRUCTION- EXTERNAL STYLE BYPASS



SERIES CYLINDERS 4.75" BORE 1.50" ROD

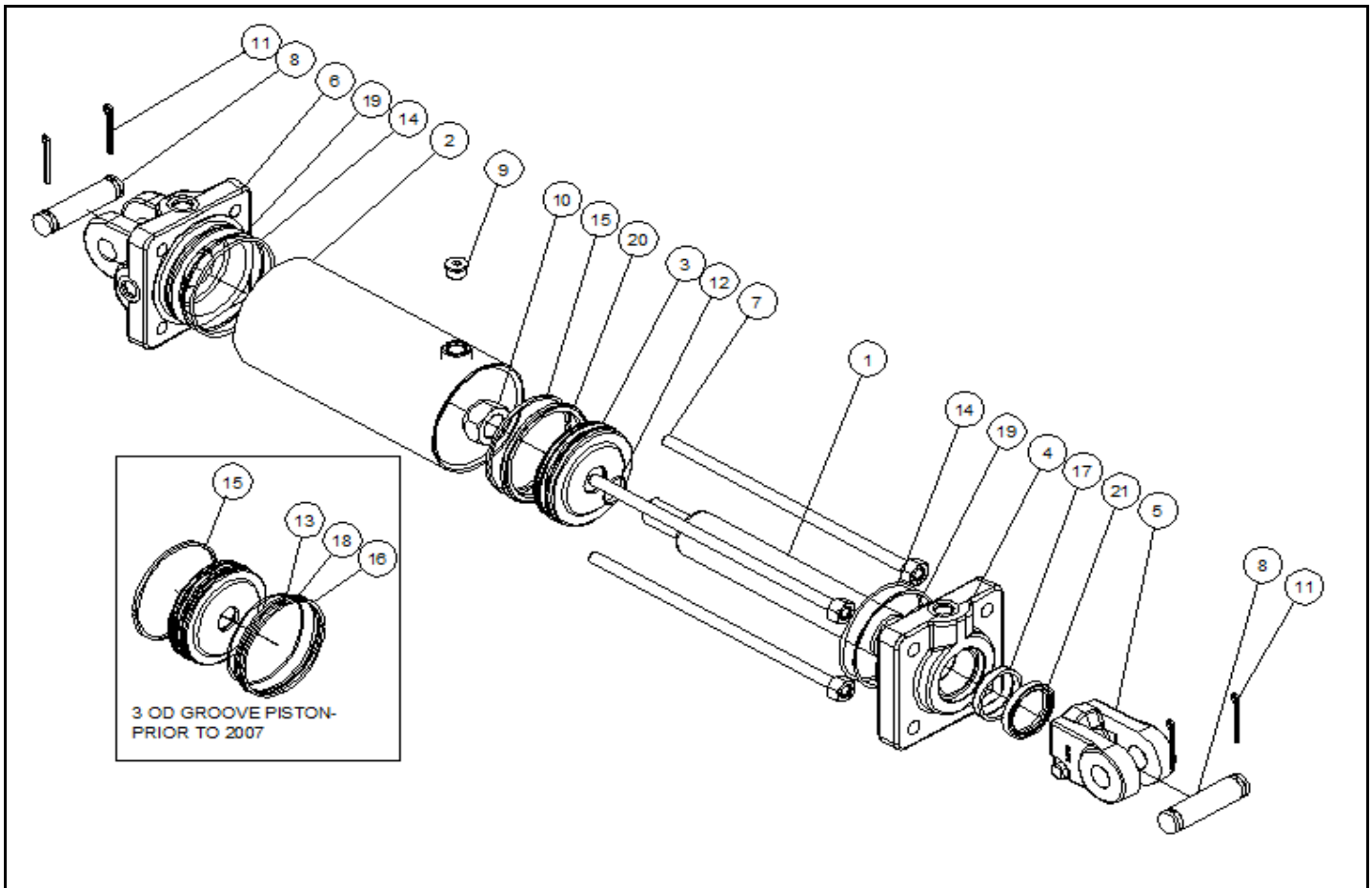
MODEL	ITEM	QUANTITY	PART NUMBER	DESCRIPTION
ALL	10	1	220000211	LOCKNUT
ALL	11	4	220001504	COTTER PIN
ALL	12	1*	240000029	O-RING
ALL	13	1**	240000156	O-RING
ALL	14	2*	240000246	O-RING
ALL	15	1*	240011113	BEARING RING
ALL	16	1**	240011113	BEARING RING
ALL	17	1*	240020059	U-CUP
ALL	18	1**	240035156	SQUARE TEFLON SEAL
ALL	19	2*	240061246	BU-WASHER
ALL	20	1*	240064475	RECTANGULAR TEFLON SEAL
ALL	21	1*	250014150	WIPER
PMS-AM-2538			PMCK-AM-2538	PACKING KIT
PMS-AM-2613			PMCK-AM-2613	PACKING KIT
PMS-AM-2540			PMCK-AM-2540	PACKING KIT
PMS-AM-2542			PMCK-AM-2542	PACKING KIT

****PACKING KIT INCLUDES ITEMS TO RE-PACK 2 OD GROOVE (CURRENT) OR 3 OD GROOVE (PREVIOUS) PISTONS.**



SERIES CYLINDER SYSTEMS

TIE ROD CONSTRUCTION- EXTERNAL STYLE BYPASS



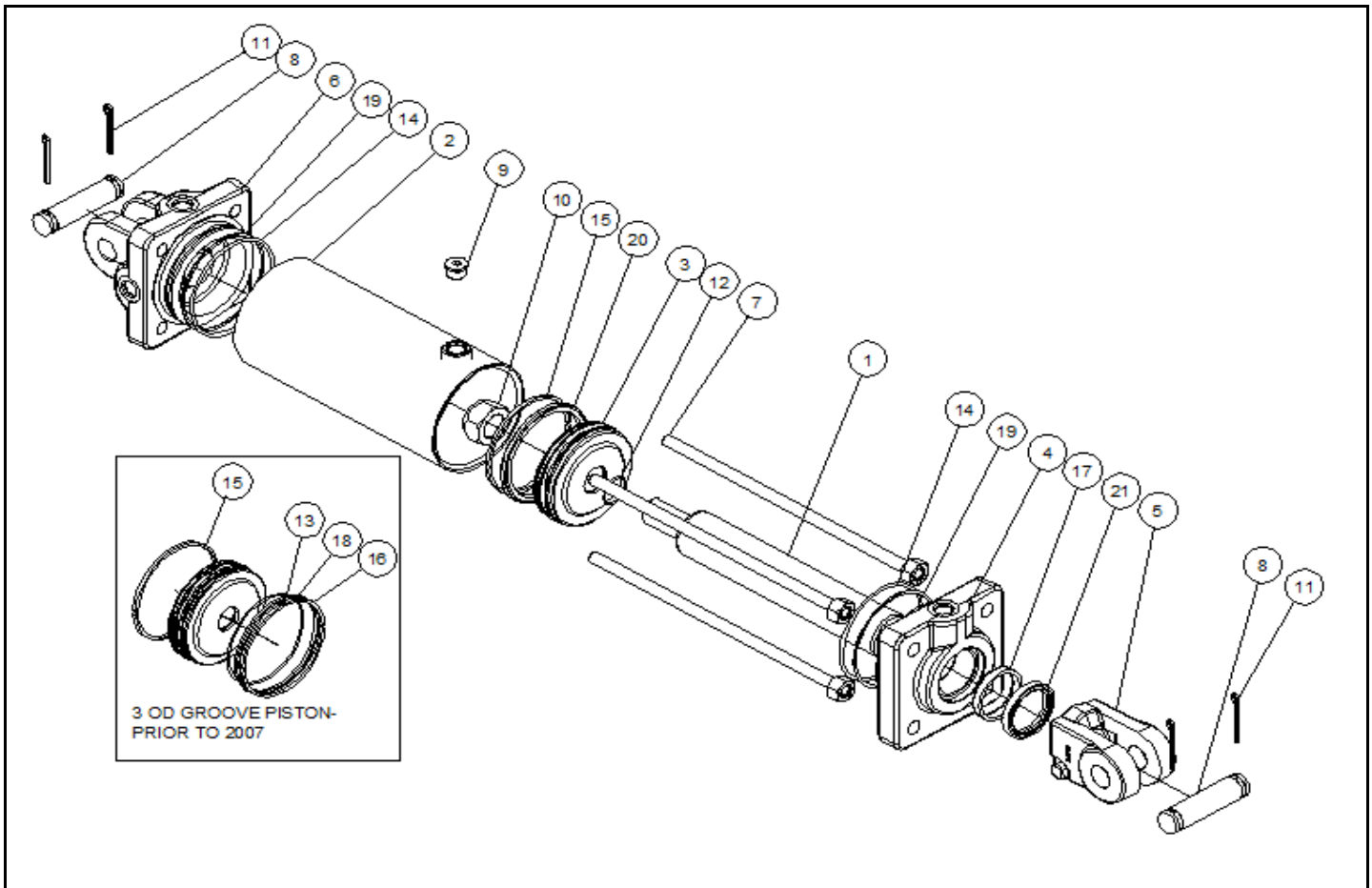
SERIES CYLINDERS 5.00" BORE 1.50" ROD

MODEL	ITEM	QUANTITY	PART NUMBER	DESCRIPTION
PMS-AM-2532	1	1	010800648	PISTON ROD
PMS-AM-2611	1	1	010800873	PISTON ROD
PMS-AM-2534	1	1	010800666	PISTON ROD
PMS-AM-2536	1	1	010800690	PISTON ROD
PMS-AM-2532	2	1	062100545	TUBE ASSY
PMS-AM-2611	2	1	062100697	TUBE ASSY
PMS-AM-2534	2	1	062100546	TUBE ASSY
PMS-AM-2536	2	1	062100547	TUBE ASSY
ALL	3	1	072100373	PISTON
ALL	4	1	082100293	GLAND ASSY
ALL	5	1	100000326	CLEVIS ASSY
ALL	6	1	142100020	BUTT CLEVIS
PMS-AM-2532	7	4	170301136	TIEROD
PMS-AM-2611	7	4	170301156	TIEROD
PMS-AM-2534	7	4	170301176	TIEROD
PMS-AM-2536	7	4	170301216	TIEROD
ALL	8	2	190400004	CLEVIS PIN
ALL	9	1	200300104	HOLLOW HEX PLUG



SERIES CYLINDER SYSTEMS

TIE ROD CONSTRUCTION- EXTERNAL STYLE BYPASS



SERIES CYLINDERS 5.00" BORE 1.50" ROD

MODEL	ITEM	QUANTITY	PART NUMBER	DESCRIPTION
ALL	10	1	220000211	LOCKNUT
ALL	11	4	220001504	COTTER PIN
ALL	12	1*	240000029	O-RING
ALL	13	1**	240000157	O-RING
ALL	14	2*	240000248	O-RING
ALL	15	1*	240011114	BEARING RING
ALL	16	1**	240011114	BEARING RING
ALL	17	1*	240020059	U-CUP
ALL	18	1**	240035157	SQUARE TEFLON SEAL
ALL	19	2*	240061248	BU-WASHER
ALL	20	1*	240064500	RECTANGULAR TEFLON SEAL
ALL	21	1*	250014150	WIPER
PMS-AM-2532			PMCK-AM-2532	PACKING KIT
PMS-AM-2611			PMCK-AM-2611	PACKING KIT
PMS-AM-2534			PMCK-AM-2534	PACKING KIT
PMS-AM-2536			PMCK-AM-2536	PACKING KIT

****PACKING KIT INCLUDES ITEMS TO RE-PACK 2 OD GROOVE (CURRENT) OR 3 OD GROOVE (PREVIOUS) PISTONS.**